

ABATTOIR
SUPPLY CO



PRODUCT CATALOGUE 2023



We get it.

“

**SUPPLIERS OF A WIDE RANGE
OF HIGH-END EQUIPMENT AND
CONSUMABLES TO THE ABATTOIR
INDUSTRY.**





Table of Contents

PRODUCT CATALOGUE 2023

Cattle and Sheep Slaughtering Equipment	8
Pork Slaughtering Equipment	14
Poultry Slaughtering Equipment	22
General Abattoir Equipment	32
Hooks, Skids and Gambrels	62
Hygiene And Cleaning Equipment	70
Knives and Cutting Utensils	84
Freund Equipment and Tools	92



**WE PROVIDE ABATTOIR DESIGN
AND DEVELOPMENT SERVICES
FOR SMALL TO LARGE SCALE
PROJECTS.**



PROFESSIONAL

We value professionalism, approachability and promptness, while priding ourselves on our exceptional service and ease of doing business.



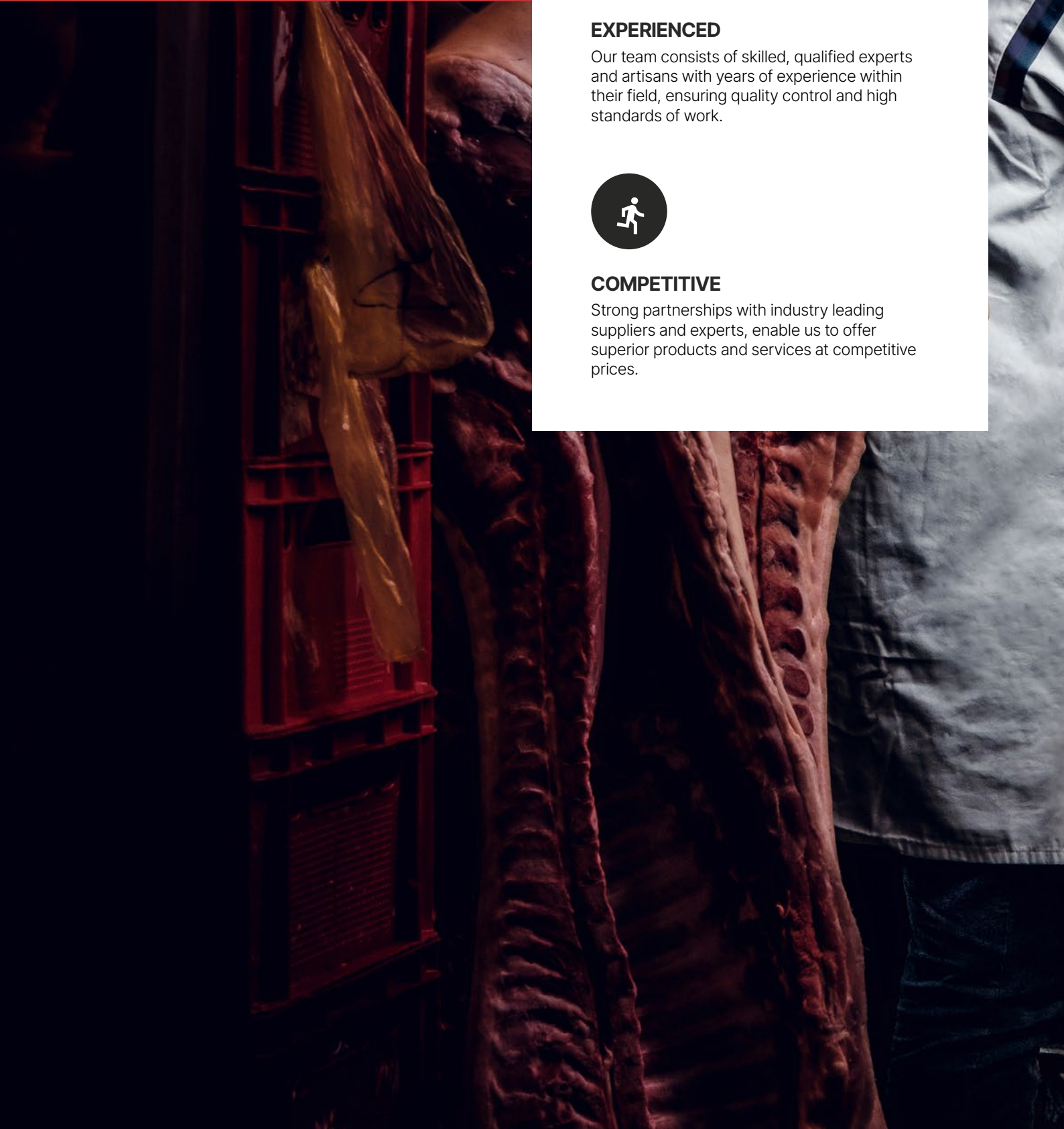
EXPERIENCED

Our team consists of skilled, qualified experts and artisans with years of experience within their field, ensuring quality control and high standards of work.



COMPETITIVE

Strong partnerships with industry leading suppliers and experts, enable us to offer superior products and services at competitive prices.





A B O U T U S

Complete abattoir systems and supply specialists.

Abattoir Supply Co is a leading local supplier and manufacturer of high-quality slaughtering products dedicated to providing the best solutions for the industry. Our goal is to ensure customer satisfaction, and to introduce cutting edge innovation and product development to the meat industry.

The heritage of the Directors are marked with generational involvement in the slaughtering industry and the manufacturing process of specialised equipment. We have already gained positive traction and gained a reputation for delivering durable, reliable and efficient solutions. Our products are made from premium materials, and our state-of-the-art manufacturing facilities ensure consistency in delivering high-quality products.

We have spared no cost in the manufacturing equipment and machines in our workshop and we are proud to lead the way with the use of fibre laser and laser welding technology, in our production process.

This will enable us to manufacture products more efficiently, next level quality and unbelievable strength and reliability. This is achieved with the very small dissipation of heat through the steel, which does not compromise the integrity of the material at all, it gives us the advantages to develop highly sophisticated and complexed parts, previously unable to be achieved with the conventional methods.

We understand the importance of meeting our client's requirements, and our extensive product range covers all the aspects of the slaughtering process, in addition we also provide customised solutions that meet all client specifications and special needs. Our team of experts are dedicated to working with our clients to determine their needs and find the best solution possible.

We strive to deliver exceptional service and support to our customers. We offer a comprehensive range of after-sales services such as maintenance, repair, and support, making sure that our clients get the best possible value for their investment.

If you are looking for reliable cost effective manufactured products, Abattoir Supply Co is the perfect choice. Our dedication to quality, customer satisfaction, and innovation sets us apart, and our commitment to meeting the needs of our clients has enabled us to build lasting relationships with them. Choose Abattoir Supply Co for the best solutions in slaughtering products.



Slaughtering

Optimal dimensioning of systems for a smooth production performance.

Especially in an abattoir, safety, ergonomics, efficiency and of course hygiene all play a decisive role. Innovative and proven technology from Abattoir Supply Co ensures all of the working procedures in every slaughter-line and significantly improves efficiency. All of our abattoir solutions are precisely adapted to meet our customer needs and the requirements of the respective market.

Track Systems

Manual, semi-automatic or fully-automatic loading and unloading of cold-storage rooms.

Carcasses can be transported without delay and with minimum effort into the refrigerated rooms, a carefully conceived tubular track concept is required. For this, we plan and build track systems to your requirements to transport cut-up carcasses manually, semi-automatically or fully automatically to and from refrigerated storage rooms, which feature state-of-the-art technology.

- ➔ Solid construction using hot-dipped galvanised steel.
- ➔ Enhances cost-effective use of the refrigerated areas.
- ➔ Manual or fully automatic conveyor systems.
- ➔ Hook return systems.





Cutting Systems

Precise, professional and hygienic cutting systems.

We offer our customers complete lines which allow for precise, technically correct and hygienic cutting systems of the carcass in suitable portions for consumers and in primal cuts. The customers themselves determine the degree of automation in each case. Our specialists ensure smooth operation of all steps in the process, including a well considered hygiene and logistics concept, to produce products which are always fresh and have maximum storage life.

- ➔ Rotary blade saws, bandsaws, breaking saws.
- ➔ De-rinding and de-hiding machines.
- ➔ Manual or fully automatic conveyor systems.
- ➔ Hand knives and various tools.



Slaughtering process by-products.

Environmentally neutral disposal facilities for by-products.

When slaughtering animals, there are valuable by-products which can make a significant contribution to the value created in the operation. The more precise and hygienic, the more effective the result. So that this result can flow into the overall profitability calculations, all of the processing lines for the by-products – such as blood mixers, blood tanks and intestine cleaning lines, as well as environmentally neutral disposal systems for slaughter waste products are taken into account during planning.



SECTION 1

8

Abattoir Supply Co Product Catalogue 2023

CATTLE AND SHEEP SLAUGHTERING EQUIPMENT

Manufacture & supply of cattle, sheep, pig, poultry and game slaughtering equipment at competitive pricing.





Cattle

CATTLE TRANSPORT & LIFTING EQUIPMENT

Bleeding Roller

- ➔ Steel wheel fitted with heavy duty roller bearings
- ➔ Steel shaft fitted with sealed bearing
- ➔ Chain fitted with a swivel link, connecting link and slip hook
- ➔ Links sized to ensure easy slip and knot
- ➔ Chain can be lengthened or shortened

ITEM CODE	DESCRIPTION
ASC 1	Cattle Bleeding Roller Complete
ASC 111-1	Wheel 250mm O/D 25mm Shaft
ASC 111-1A	Wheel 350 Diameter 20 Shaft



Beef Spreader

- ➔ Mild Steel
- ➔ Galvanised
- ➔ Allows easy access of saw

ITEM CODE	DESCRIPTION
ASC 37a	Spreader Beef Mild Steel Bent
ASC 37B	Spreader Gambrel Chain
ASC 38	Spreader Beef Stainless Steel



Shackle Dressing

- ➔ Shackle for the dressing of sheep
- ➔ Mild Steel Galvanised

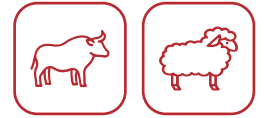
ITEM CODE	DESCRIPTION
ASC	Shackle Dressing





Cattle and Sheep

HEAD & FEET HAIR REMOVAL



Dehairing Machine Head & Feet

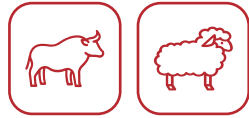
- ➔ CR12 Stainless Steel frame
- ➔ 2.2 KW motor
- ➔ 220V or 360 VOLTS
- ➔ All spares locally available
- ➔ Cleans sheep and cattle heads and feet
- ➔ Double dehairing shaft i.e.. Two operators can work at the same time
- ➔ Designed for easy maintenance and cleaning



ITEM CODE	DESCRIPTION	WEIGHT (KG)	DIMENSIONS (MM)
ASC 142	Dehairing Machine Head & Feet	120 kg	1250 x 848 x 520

SPARES & ACCESSORIES

ITEM CODE	DESCRIPTION	ITEM CODE	DESCRIPTION
ASC 142-2B	Motor 2.2kw 4-Pole 3-Phase Base MTD	BN1240	M12 x 40mm Hex Bolt
ASC 142-3	Motor 1.5kw 4 Pole 380v & Gearbox 30 Ratio	BN12N	M12 Nylock Nut
ASC 142-4	Motor 1.5kw 4-Pole 220v & Gearbox 30 Ratio	BN12W	M12 Washer Plated
ASC 142-6	Plumber Bearing UCFL 205	BN8	M8 x 35mm Hex Bolt
ASC 144A	Shaft Complete	BN81	M8 Nylock Nut
BN6	M6 Threaded Rod	BN8W	M8 x 25 O/D Washer
BN6N	M6 Nylock Nut	ASC 142-7	Shaft Coupling Plated



Cattle and Sheep

HEAD & FEET HAIR REMOVAL

Star Rubber

- ➔ Specially formulated for wear & hygiene
- ➔ Hard for scraping
- ➔ Soft for polishing



ITEM CODE	DESCRIPTION
ASC 143	Star Rubber Soft
ASC 144	Star Rubber Hard
ASC 144/1	Star Rubber Hard Special



Cattle

EXTENSIVE RANGE OF STUNNING PENS



Stunning Pen - Side Discharge

- ➔ Tubular frame section
- ➔ Mild Steel Galvanised or painted
- ➔ Lever operated



Stunning Pen - Drop Bottom

- ➔ Tubular frame section
- ➔ Mild Steel Galvanised or painted
- ➔ Lever operated



ITEM CODE	DESCRIPTION	WEIGHT (KG)	DIMENSIONS (MM)
ASC 53	Stunning Pen - Side Discharge	250 kg	2500 x 965 x 2265
ASC 54	Stunning Pen - Drop Bottom	330 kg	2500 x 965 x 2265

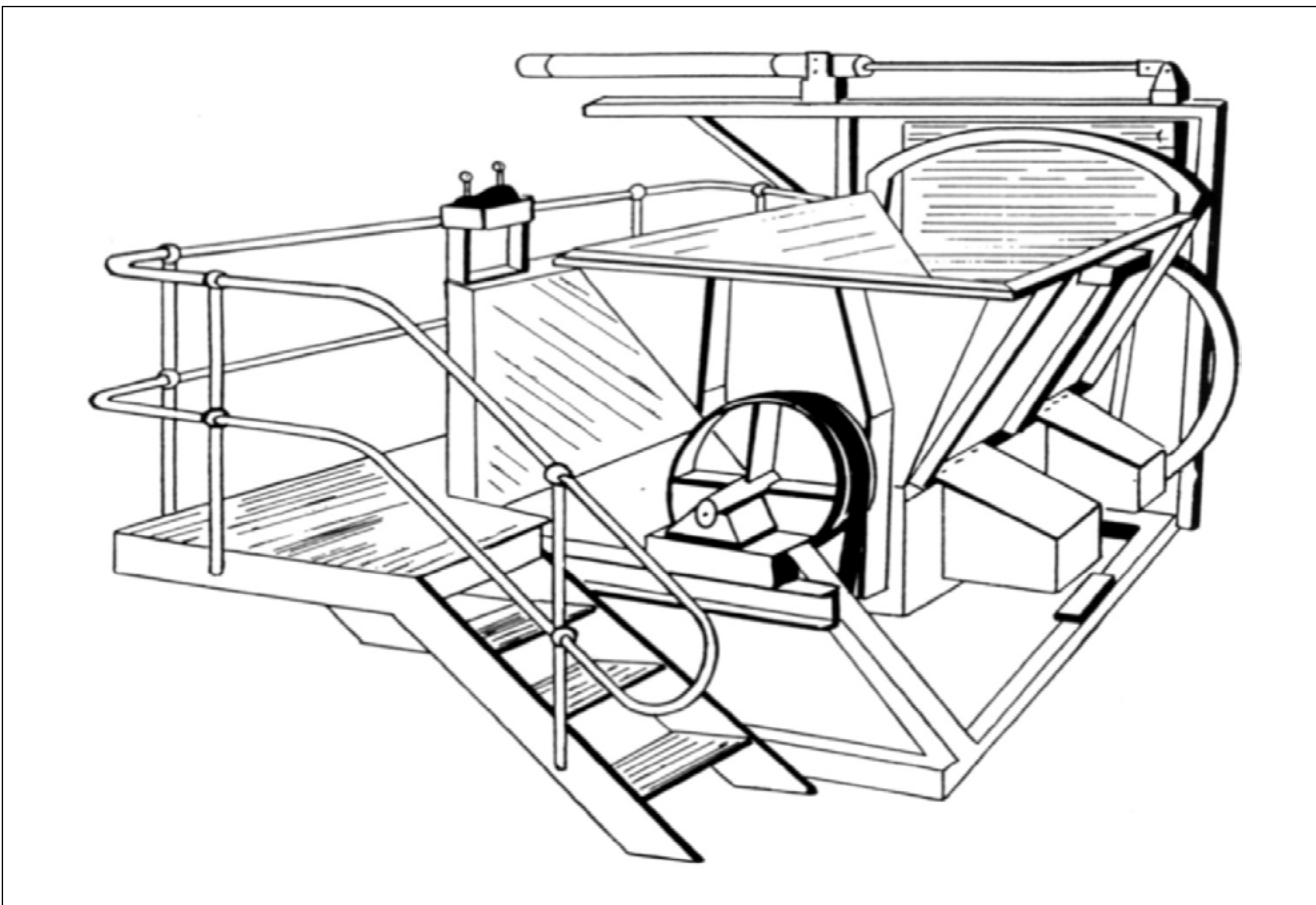


Cattle

EXTENSIVE RANGE OF STUNNING PENS

Stunning Pen - Roll Over

- ➔ Specially formulated for wear & hygiene
- ➔ Hard for scraping
- ➔ Soft for polishing



ITEM CODE	DESCRIPTION	WEIGHT (KG)	DIMENSIONS (MM)
ASC 55a	Stunning Pen - Drop Bottom	330 kg	2500 x 965 x 2265

SPARES & ACCESSORIES

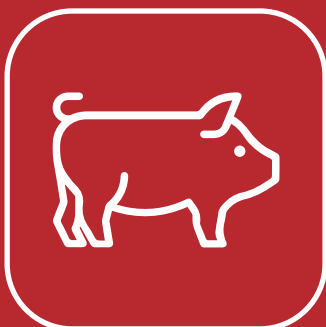
ITEM CODE	DESCRIPTION	WEIGHT (KG)	DIMENSIONS (MM)
ASC 55C	Rubber Leg Grips		



SECTION 2

PORK SLAUGHTERING EQUIPMENT

Manufacture and supply of pork slaughtering equipment, produced for large high output slaughtering facilities right down to the small scale farm abattoirs. We have the ability to design anything to client specification with abattoir needs in mind.





Pork

SCALDING TANK 3CR12 & PARTS

Scalding Tank

- ➔ Thermostatic control
- ➔ Mobile or foot mounted
- ➔ Electrically heated
- ➔ Cradle Mild Steel Galvanised
- ➔ Mild Steel Galvanised or 3CR12 Stainless Steel



ITEM CODE	DESCRIPTION	WEIGHT (KG)	DIMENSIONS (MM)
ASC 103	Mobile Electric 3CR12		
ASC 104	Single Mild Steel Electric		
ASC 104a2	Double Electric 3CR12		

SPARES & ACCESSORIES

ITEM CODE	DESCRIPTION	WEIGHT (KG)	DIMENSIONS (MM)
ASC 103B	Control Box Scalding Tank 200l Cradle		
ASC 104A1	Scalding Tank Mild Steel Galvanised		
ASC 104d	Scalding Tank Burner Tube		



Pork

DEHAIRING MACHINE PIG MODEL 60D



Dehairing Machine

- ➔ Designed to provide mechanized dehairing facilities for the small to medium sized abattoir. This robust model is however capable of cleaning 60 pigs / hour
- ➔ The reinforced frame is manufactured from 3CR12 Stainless Steel
- ➔ The shaft is fitted with flexible rubbers onto which is mounted Stainless Steel scrapers
- ➔ The complete shaft is mounted onto sealed bearings and driven through a worm drive
- ➔ Coupled directly onto the motor to ensure soft starts and smooth and vibration free running The motor is 4 KW 380 volt
- ➔ Fitted with: a cradle to facilitate the effective discharge of the cleaned pig



ITEM CODE	DESCRIPTION	WEIGHT (KG)	DIMENSIONS (MM)
ASC 157			



Pork

DEHAIRING MACHINE SPARES & ACCESSORIES

Pig Paddle

- ➔ Paddle is designed specifically for the dehairing of pigs
- ➔ Scrapers made from 3CR12 Stainless Steel
- ➔ Bolts cadmium plated
- ➔ Long life and durability rubber



ITEM CODE	DESCRIPTION
ASC 150	Rubber Whip Pig Dehairing Black
ASC 150-A	Rubber Whip Pig Dehairing White
ASC 151	Pig Beater Rubber
ASC 151A	Pig Scrapers Complete assembly
ASC 151AB	Bolts & Nut Stainless Steel for 151
ASC 151AC	Scraper 60w 3CR12
ASC 151AC1	Scraper Plates 45mm 3CR12 Stainless Steel
ASC 151C	Rubber Beater 150x80x20 - 6 Hole
ASC 151E	Pig Scraper Small Dimple
ASC 151G	Pig Scraper Rubber Blocks

SPARES & ACCESSORIES

ITEM CODE	DESCRIPTION
ASC 157-1	Shaft Pig Dehairing Machine
ASC 157-26	Machine Shaft Ends & Key Supply
ASC 157/SET	Plate Set ASC 157 Complete
ASC 157A	Sprocket 25 Teeth Duplex
ASC 157AA	Taperlock 35 / 50 Mm Shaft
ASC 157B	Chain Set & Master Link 3/4"
ASC 157C	Bearing Pillow Block Ucf313
ASC 157C-1	Bearing Pillow Block 40mm UCP 208
ASC 157D	Motor & Gearbox 4kw 4-Pole 380v
ASC 157D-1	Starter & Overload 4kw 3phase
ASC 157D-2	Gearbox Only Mod 60 Dehairing Machine
ASC 157E	Cradle Dehairing Machine Mild Steel Galvanised
ASC 157F	Machine Shaft Ends
ASC 157G	Cradle Hinge Plate 12mm Mild Steel
ASC 157G-1	Cradle Hinge Ring
ASC 157H	Shaft Stub Set Complete
ASC 157I	Motor Dehairing Machine 4 Kw- Excl. Gearbox



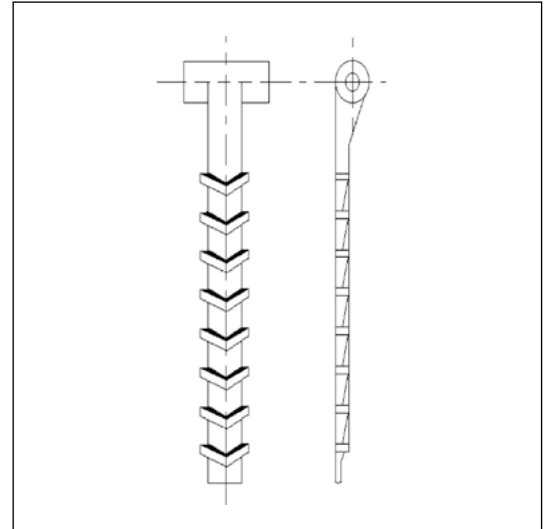
Pork

PIG EQUIPMENT



Pig Whip Rubbers

- ➔ Pig whips designed specifically for the cleaning of pigs
- ➔ Brass inserts for ease of rotation
- ➔ Long life and durability rubber



ITEM CODE	DESCRIPTION
ASC	

Pig Toe Puller

- ➔ Round bar
- ➔ Stainless Steel GR304



ITEM CODE	DESCRIPTION
ASC 121	Pig Toe Puller

Pig Cone Scraper

- ➔ Stainless Steel



ITEM CODE	DESCRIPTION
ASC 121A	Pig Cone Scrapers Stainless Steel



Pork

PIG EQUIPMENT

Skid Pig Bleeding

- ➔ Round bar
- ➔ Stainless Steel GR304

ITEM CODE	DESCRIPTION
ASC 2	Skid Bleeding Shackle Hook Type
ASC 2a	Skid Bleeding Sheep Chain Only



Pig Scraping Table

- ➔ Stainless Steel

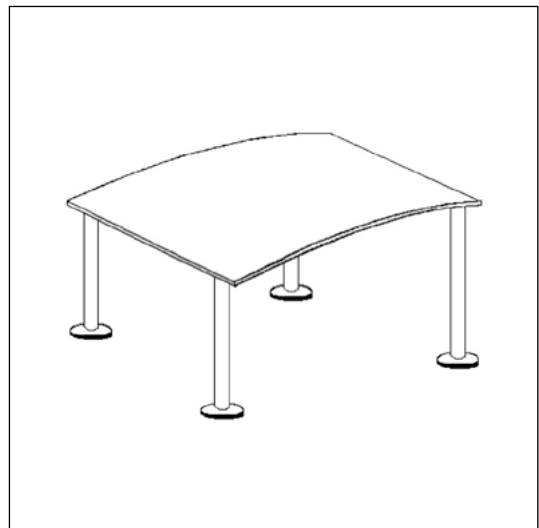
ITEM CODE	DESCRIPTION
ASC 105	Pig Scraping Table Galvanised
ASC 105a	Pig Scraping Table Stainless Steel



Pig Landing Table

- ➔ Adjustable feet
- ➔ Flat or curved top
- ➔ Stainless Steel or Mild Steel Galvanised

ITEM CODE	DESCRIPTION
ASC 106	Pig Landing Table Galvanised
ASC 106a	Pig Landing Table Stainless Steel





Pork

PRODDERS



Prodders

- ➔ Completely insulated cattle prodders
- ➔ Battery operated
- ➔ With or without long handle extension

ITEM CODE	DESCRIPTION
ASC 45	Prodder Skokioen
ASC 45A	Prodder Extension For Skokioen
ASC 45A2	24v Transformer
ASC 45A3	24v Contactor
ASC 45A4	Female Plug
ASC 45B	Prodder Kawe
ASC 45C	Prodder Hot Shot Long
ASC 45D	Prodder Hot Shot Ext
ASC 45E	Prodder HU-150
ASC 45F	Handy Prodder
ASC 45G	Handy Prodder Shaft
ASC 45H	Prodder Shaft



Stun Tongs

- ➔ Suitable for sheep, pigs, goats and ostriches

ITEM CODE	DESCRIPTION
ASC 44B	Stunning Tongs
ASC 44B-1	Probe Head Stainless Steel
ASC 44B-2	Probe Head Nylon
ASC 44B-6	Centre Cup Stainless Steel
ASC 44B-7	Centre Bush Nylon
ASC 44C	Tig Switch (Stunning Tongs)





Pork

PIG EQUIPMENT

Stun Box Transformer and Parts

- ➔ Suitable for sheep, pigs, goats and ostriches
- ➔ Sturdy steel box
- ➔ Insulated and water resistant
- ➔ Standard 15 amp 220 volt supply
- ➔ Selectable output - voltage and time
- ➔ Key switch control
- ➔ Emergency cut out
- ➔ Indication lights



ITEM CODE	DESCRIPTION
ASC 44A	Stunning Transformer
ASC 44A1	H3CR 24 Timer 24v H3CRA & Base
ASC 44A2	Transformer Multi Tap 22v- 85/100/110/120/150/200
ASC 44A3	Transformer 220 - 24 Volt 50 Va
ASC 44A4	Switch 6 Pole (Stunner) Selector Switch 2-Pole 6-Position
ASC 44A5	Box With Cutouts For Stun Tran
ASC 44A6	Contactior
ASC 44A8	Amp Meter DE 48 5a
ASC 44A9	Voltmeter DE 48 0-300v
ASC 44AA	Stunning Transformers Service Exchange



SECTION 3

22

Abattoir Supply Co Product Catalogue 2023

POULTRY SLAUGHTERING EQUIPMENT

Manufacture & supply of cattle, sheep, pig, poultry and game slaughtering equipment at competitive pricing.





Poultry

CHICKEN ABATTOIR EQUIPMENT

Stunner & Bleeder 6 - 12 Chickens

- ➔ Bird stunner/bleeder is manufactured for the small to medium size poultry abattoir
- ➔ Handling up to 800 birds per day
- ➔ This poultry processing equipment comprises a stunner head, 2 bleeding cones and a drain trough
- ➔ By inserting the live chicken head into the stunner onto the electrodes it is stunned unconscious
- ➔ Two voltage selections 110 and 140 volts are available for different bird types
- ➔ The stunned birds are then put into the 2 × 6 bird cones, head first and their necks cut to bleed out. The blood drips into the lower trough and is then drained into a collection container
- ➔ 15amp 220volt supply stunner selectable output (110v & 140v)
- ➔ Interchangeable copper electrodes
- ➔ Stainless Steel or Mild Steel Galvanised



ITEM CODE	DESCRIPTION	WEIGHT (KG)	DIMENSIONS (MM)
ASC 63e	6 Birds	33 kg	600(L) x 1010(H) x 440(W)
ASC 63d	12 Birds	63 kg	1200(L) x 1010(H) x 440(W)



Poultry

CHICKEN ABATTOIR EQUIPMENT



Poultry Stunner

- ➔ Standard 15 amp 220 volt supply, with Selectable output
- ➔ Electric stunning is the most humane way to render the bird unconscious and lame
- ➔ Due to this the heart beat is increased to ensure a faster and more complete bleed
- ➔ The force to remove feathers is reduced because the muscles are completely relaxed
- ➔ A wide range of poultry sizes can be handled simply by changing the loose divider that fits into the large cone

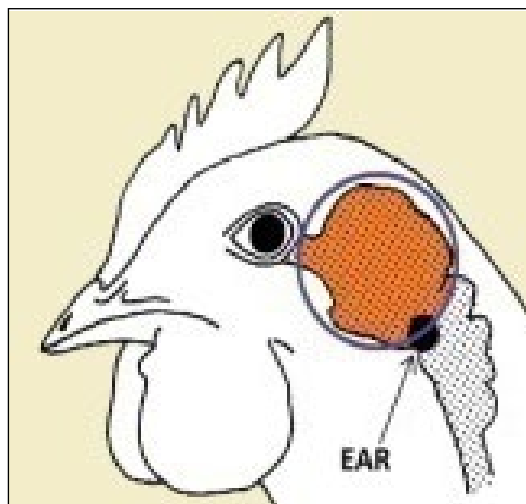
ITEM CODE	DESCRIPTION
ASC 44n	Stunner Electric Poultry Mild Steel Galvanised
ASC 63d	Stunner Electric Poultry Stainless Steel



Electrode Combs Stunner

- ➔ The bird is stunned by pushing its head through the hole in the stunner front panel, then the side of the head is lifted to touch the comb electrodes just behind the ear where skin is the barest

ITEM CODE	DESCRIPTION
ASC 44I-2	Stunner Poultry Electrode Combs /Set
ASC 44I-1	Transformer 150va 220v - 110/140/180
ASC 44m	Inverter 24-220 1kw





Poultry

CHICKEN ABATTOIR EQUIPMENT

Chicken Runner / Shackle

- ➔ Runner track nylon 44 % pipe
- ➔ Runner made from 25 x 5 mm
- ➔ With two 50 mm nylon wheels
- ➔ Shackle & drop rods
- ➔ 6 mm round bar
- ➔ Stainless Steel or Mild Steel Galvanised



ITEM CODE	DESCRIPTION
ASC 5c	Shackle Poultry Complete Mild Steel Galvanised

Track Components

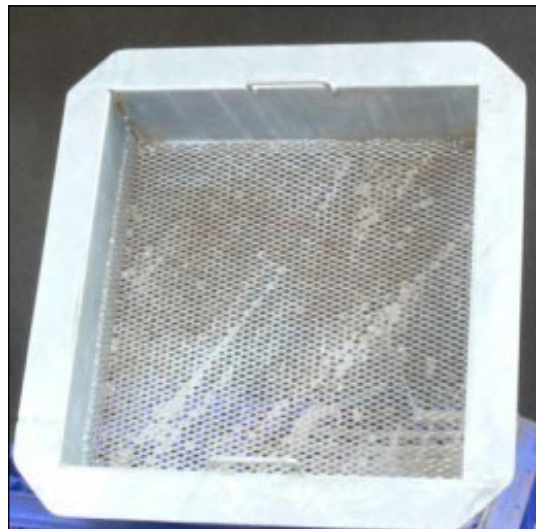
- ➔ Mild Steel Galvanised



ITEM CODE	DESCRIPTION
ASC	90 Degree Track Bends
ASC	180 Degree Track Bends at 1.5m Centre
ASC	Track Coupler
ASC	Hanger
ASC	Track Hanging Bars

Feather Catcher Screen

- ➔ Mild Steel Galvanised



ITEM CODE	DESCRIPTION
ASC 605	Screen Feather Catching Mild Steel Galvanised



Poultry

CHICKEN ABATTOIR EQUIPMENT



Crate Wash Stand

- ➔ Mild Steel Galvanised

ITEM CODE

DESCRIPTION

ASC 604

CRATE WASH STAND Mild Steel Galvanised



Drip Cooling Tray - 108 Birds

- ➔ Mobile drip dry unit on wheels
- ➔ Mild Steel Galvanised

ITEM CODE

DESCRIPTION

ASC 112f

Trolley Drip & Cooling 108 Birds Mild Steel Galvanised



Packing Cone

- ➔ High quality Stainless Steel

ITEM CODE

DESCRIPTION

ASC 603

Cone Packing Poultry Stainless Steel



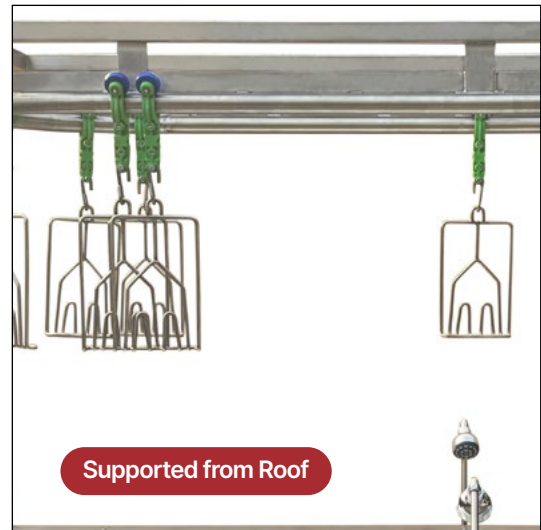


Poultry

CHICKEN ABATTOIR EQUIPMENT

Eviscerating Trough

- ➔ The eviscerating rail is used by placing the bird's hocks into the shackle, back toward the operator
- ➔ The bird is then pushed along to a point above the eviscerating trough where the neck skin is slit, and the neck cut at a point such that the neck stub does not protrude when the bird is packed (quality)
- ➔ The vent is then cut around without breaking or cutting the intestine
- ➔ This is a skill which can be quickly achieved by operators if sufficient attention is given to the technique by management
- ➔ If the intestine is cut, fecal matter will spill into and onto the carcass, resulting in loss of shelf life
- ➔ Once the vent is cut free, pull it about three hundred to four hundred millimeters from the carcass so that the intestine hangs clear of the carcass
- ➔ Next make a cut from the vent opening to the keel bone
- ➔ The eviscerating fork is now used to scoop the visible package from the carcass. Remove the visceral pack by hand and harvest the edible giblets (liver, heat, and gizzard)
- ➔ Wash the carcass thoroughly both inside and outside
- ➔ The remaining offal (mala) is dropped into the trough where it is flushed into a receptacle under the opening in the trough



ITEM CODE	DESCRIPTION
ASC 63F	Eviscerating Trough 130 I
ASC 63G	Eviscerating Trough 260 I

Eviscerating Fork

- ➔ The eviscerating fork is used to scoop the visible package from the carcass
- ➔ The spoon enters down the back bone to a point between the wings, and is brought up against the breast, thus removing all the internal or organs
- ➔ Properly operated, each visceral packet will have the liver intact, and both hang clearly visible and intact



ITEM CODE	DESCRIPTION
ASC 121c	Fork Eviscerating Mild Steel Galvanised
ASC 121d	Fork Eviscerating Stainless Steel GR304



Poultry

CHICKEN ABATTOIR EQUIPMENT



Tilting Bowl Plucker 220v & 380v

The plucker is well balanced and free standing with a capacity of 12kg (live weight) per minute that is 360 x 2kg, 480 x 1,5kg. The machine has a low power consumption, driven by a 1,1KW motor 380V, 3 phase as standard. Single phase motors and other voltages are optional.

The motor is mounted high at the back of the machine under the starter box out of the general water splash area. The starter box is large enough for the addition of timers, o'load relays etc. to be fitted if required. The motor shaft has a lip seal between the shaft and the motor casing to prevent the ingress of water into the top bearing housing.

A shaft seal located on the bottom of the frame is there to prevent water spray from the plucking bowl entering the lower pluck head bearing. The tilting bowl action eliminates an ejection door with hinges etc. This makes the construction of the bowl stronger, resulting in a smoother inside finish that is easier to keep clean.

The loading door hinge is an integral part of the plucker bowl covering the whole length of the door. A harness bolted to the top of the bowl gives rigidity and accommodates the tilting mechanism. The bowl harness has two stops on the side of the machine frame that ensures the bowl being held securely in place during the plucking cycle.

The plucking head uses a standard plucking finger ±80mm long that pulls into a hole of 19mm diameter. The Pluck fingers are arranged in a spiral sequence moving upwards to turn carcasses over during plucking.

A medium to hard plucking finger is preferred (55 to 60 degrees Shore A hardness), as the plucking finger has to pluck, as well as, turn the birds for all round plucking.

The pluck finger consumption is about 1 finger per 1500 birds plucked. This figure may vary if the machine is overloaded and worn or broken pluck fingers are not replaced timely (or with poor rubber quality).

The main frame of the plucker is made from heavy gauge Mild Steel, completely welded and hot dip Galvanised, thus giving complete rust protection outside and inside the tube sections. All bolted connections on the frame and the pluck bowl are Silicon sealed for hygienic reasons.



ITEM CODE	DESCRIPTION
ASC 155a	Plucker Tilting Bowl 220v
asc155b	Plucker Tilting Bowl 380v



Poultry

CHICKEN ABATTOIR EQUIPMENT

Drum Plucker

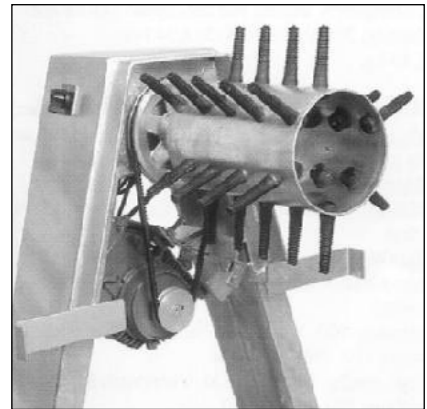
This plucker is matched to work in conjunction with the 6 Bird Stunner/Bleeder combination and the 75L Scalding tank.

Low power requirement is the main feature of this plucker. It is possible to use the Plucker, Scalding and Stunner/Bleeder, including refrigeration with only the power from a small diesel or petrol driven generator about 5 kva, where mains power is not available.

The bin can hold the feathers of about 200 birds and the feather bin and canopy are removable to facilitate thorough cleaning.

The plucker is well balanced and free standing. A standard pluck finger is used, i.e. about 80 mm long that pulls into a hole of 19 mm. Soft to medium hardness (45 to 55 degrees shore), plucking fingers are preferred.

The main frame is made from a heavy gauge Mild Steel completely welded and hot-dip Galvanised thus offering complete rust protection



ITEM CODE	DESCRIPTION	WEIGHT (KG)	DIMENSIONS (MM)
ASC 155c	Plucker Drum Type 220v Mild Steel Galvanised		

Plucking Finger

- ➔ A standard pluck finger is about 80 mm long that pulls into a hole of 19 mm
- ➔ Soft to medium hardness (45 to 55 degrees shore), plucking fingers are preferred
- ➔ Mild Steel Galvanised



ITEM CODE	DESCRIPTION
ASC 155-1	Fingers Poultry Plucking



Poultry

CHICKEN ABATTOIR EQUIPMENT



Portion Cutter

Capacity About 240 birds per hour

Frame Completely welded 50x50x5mm angle iron and hot -dip Galvanised.

Cutting blade 210x25x2.5mm made from A.I.S.I 400 series, martensitic Stainless Steel. Heat treated

Working surface 304 Grade Stainless Steel

Drive Direct drive of blade through a motor shaft extension

Motor Totally enclosed and fan cooled, 4 pole aluminum motor frame size 80 and face mounted

Starter Push button with emergency stop controlling a 380v coil contractor



ITEM CODE	DESCRIPTION	WEIGHT (KG)	DIMENSIONS (MM)
ASC 141a	Cutter Portion Poultry 380v Mild Steel Galvanised	57 kg	136 (L) x 50 (W) x 128cm (H)
ASC 141b	Cutter Portion Poultry 380v Mild Steel Galvanised	57 kg	136 (L) x 50 (W) x 128cm (H)



Poultry

CHICKEN ABATTOIR EQUIPMENT

Scalding Tank - 75 l

- ➔ A constant water temperature of 53 degrees Celsius will soft scald the birds in 1,5 minutes
- ➔ When operating the tank, it should always be topped up with hot water slightly warmer than 53 degrees Celsius to reduce water re-heating time
- ➔ Birds should be agitated in the water to get wet right down to their skin
- ➔ The tank has a hard water grade heating element of 2 kw
- ➔ The thermostat is electronic, and controls the water temperature within 1 degree Celsius
- ➔ The outlet is 25 mm B.S.P. and is connected to a hose that hooks over the top of the tank



ITEM CODE	DESCRIPTION
ASC 103-1	75lt Galvanised
ASC 103-3	75l Stainless Steel 3CR12

SPARES & ACCESSORIES

ITEM CODE	DESCRIPTION
ASC 103-B	Control Box Scalding Tank 200 l
ASC 65c	Thermostat Dial 0-120 Deg
ASC 66c	Element 3kw Hard Water & Pocket

Scalding Tank - 200 l

- ➔ Thermostatically Controlled
- ➔ 2kw Hard water Elements
- ➔ Power & Element Indication Lights
- ➔ Mild Steel Galvanised
- ➔ 3CR12 Stainless Steel



ITEM CODE	DESCRIPTION	WEIGHT (KG)	DIMENSIONS (MM)
CA T 103-1	Scalding Tank 200l Stainless Steel 3CR12	80 kg	1000 x 700 x 800
CA T 103-3	Scalding Tank 200l Mild Steel Galvanised	80 kg	1000 x 700 x 800



SECTION 4

32

Abattoir Supply Co Product Catalogue 2023

GENERAL ABATTOIR EQUIPMENT

The items listed in this section can be utilised in various slaughtering practices including cattle, sheep, pig, game, goats as well as processing, sorting, packaging or any specific client requirement.





Abattoir Equipment

WATER BLOOD & FAT SOLUTIONS

Blood and Water Drain

- ➔ 316 Stainless Steel
- ➔ Designed to cope with Abattoir residue
- ➔ Strong grate capable of taking heavy vehicle loading
- ➔ Separate labeled outlets with single plug for outlet selection
- ➔ Easiest and first stage of water - blood separation



ITEM CODE	DESCRIPTION
ASC 147	Blood And Water Drain 73 L D Outlet

Feather Catcher Trap

- ➔ Designed to cope with Abattoir residue
- ➔ Minimum interruption in production with the easy cleaning and rodding removable top
- ➔ Strong grate capable of taking heavy vehicle loading
- ➔ Fast drainage of buildings where large volumes of water are used for washing
- ➔ Open water trenches are eliminated
- ➔ 316 Stainless Steel



ITEM CODE	DESCRIPTION
ASC 146	Fat Trap Stainless Steel 50mm Outlet
ASC 146-1	Fat Trap Stainless Steel 100mm Outlet Vertical
ASC 146-2	Fat Trap Stainless Steel 100mm Outlet Horizontal
ASC 146-3	Fat Trap Lid 16mm H/Duty Stainless Steel GR304
ASC 146-G	Fat Trap HB200 Vertical 600 x 600mm
ASC 146A	Fat Trap Basket Stainless Steel
ASC 146B	Fat Trap Lid Stainless Steel
ASC 146C	Fat Trap Rubber Seal HB200



Abattoir Equipment

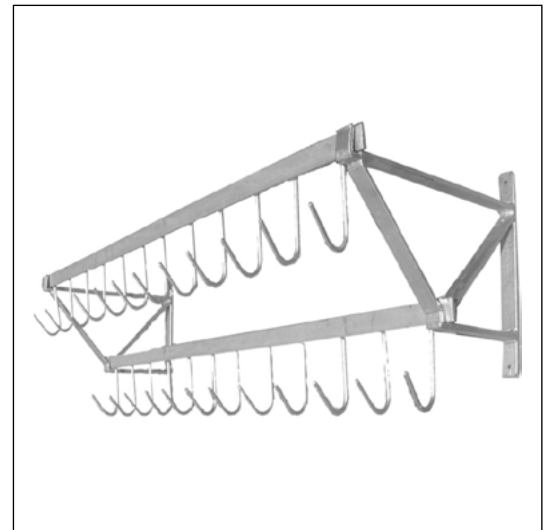
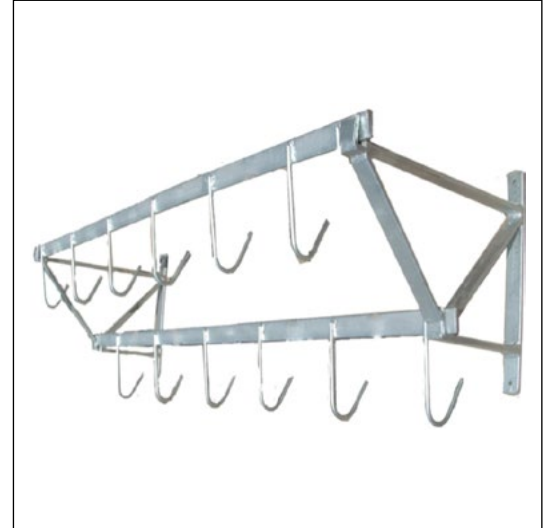
WALL MOUNTED VARIOUS APPLICATIONS HOOKS



Multi-Purpose Wall Rack

- ➔ Made to requirements
- ➔ Mild Steel Galvanised

ITEM CODE	DESCRIPTION
ASC 92	Apron Rack 20 Hook 2m Stainless Steel
ASC 92-1	Apron Rack 5-Hook 500mm Stainless Steel GR304
ASC 92A	Broom Rack Stainless Steel 1 x Brooms
ASC 94	Offal Rack
ASC 92E	Holder Jacket & Safety Hat Wall Mounted Stainless Steel GR 304
ASC 92SP-1	Rack Apron 10-Hook 1200mm Stainless Steel GR304
ASC 93	Head Rack Stainless Steel
ASC 94	Offal Rack 2m Double Mild Steel Galvanised
ASC 94A	Head Hook Rack 2m Double Mild Steel Galvanised
ASC 94B	Head/Offal Rack 2m stainless Single
ASC 94C/SP	Head Hook Rack 40x40 1.5 3 Stainless Steel GR 304





Abattoir Equipment

BALANCERS

Various Balancers

- ➔ Mechanical fail to safe brake
- ➔ Available in various sizes



ITEM CODE	DESCRIPTION	CAPACITY (KG)	CABLE LENGTH (M)
ASC 162	Balance Cable & Pulleys System	22l	1.5
ASC 162A1	Balancer Endo	22-30	1.5
ASC 162A2	Balancer Endo	40-50	
ASC 162A3	Balancer - For Model 250 Brisket	15-22	1.3
ASC 162A4	Balancer Endo Model Ss7	9-15	1.5
ASC 162A5	Balancer - Model100	30-40	1.3
ASC 162AA	Balancer For Gt40	5-9	1.5
ASC 162B	Balancer Kg	50-60	1.5
ASC 162E1	Balancer	60-70	2.1
ASC 162H	Balancer - 150ss	85-105	3
ASC 162I	Balancer B&D	80-90	
ASC 162I-1	Balancer Recon Aero Motive	80-90	1.5
ASC 162Z	Balancer Rail		3
ASC 114L	Balancer B&D	80-90	750 OD x 1200
ASC 114L	Bin & Lid	500 l	750 OD x 1200



Abattoir Equipment

CLEANING EQUIPMENT AND CONTAINERS



Saw Steriliser

- ➔ Designed for high risk areas, easy to install
- ➔ Disinfects & cleans all reciprocating saw / shear blades without dismantling
- ➔ Electrically heated and thermostatically controlled
- ➔ Constantly flushing auto overflow
- ➔ Adjustable feet
- ➔ Optional: 220V / 380V Element

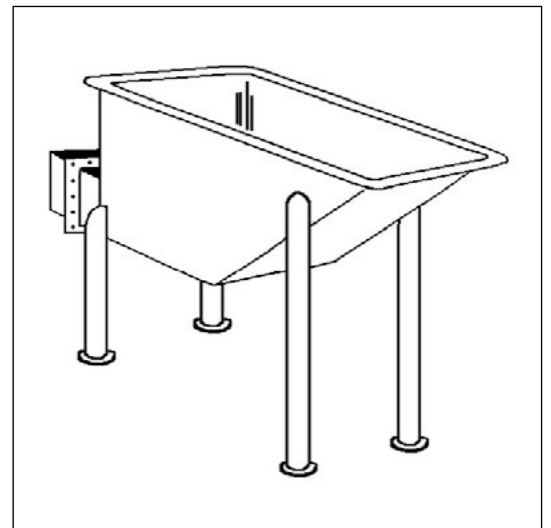
ITEM CODE	DESCRIPTION
ASC 67AC-1	Sterilising Plate Saw Sterilizer Stainless Steel GR304



Shear Steriliser

- ➔ Designed for high risk areas, easy to install with adjustable feet
- ➔ Disinfects & cleans all reciprocating saw / shear blades without dismantling
- ➔ Electrically heated and thermostatically controlled
- ➔ Constantly flushing auto overflow
- ➔ Optional: 220V / 380V Element
- ➔ Stainless Steel GR304

ITEM CODE	DESCRIPTION
ASC 67AC-1	Sterilising Shear Sterilizer



SPARES & ACCESSORIES

ITEM CODE	DESCRIPTION
ASC	Element
ASC	Thermostat



Abattoir Equipment

CLEANING EQUIPMENT AND CONTAINERS

Spray Type Bandsaw Steriliser

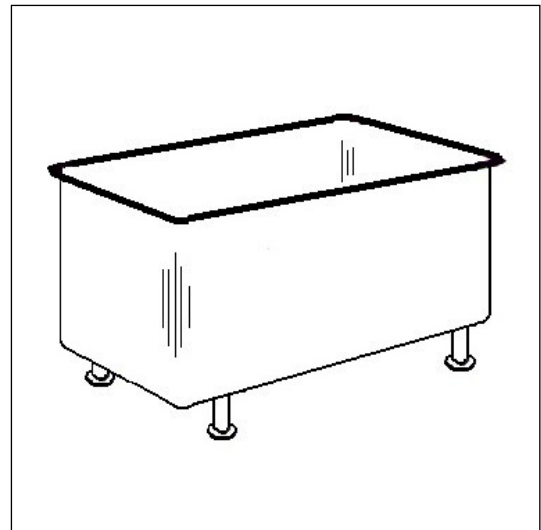
- ➔ Designed for high risk areas, easy to install
- ➔ Cleans band saws without dismantling
- ➔ Electrically heated and thermostatically controlled
- ➔ Constantly flushing auto overflow
- ➔ Adjustable feet
- ➔ Stainless Steel GR304



ITEM CODE	DESCRIPTION
ASC 67AC-1	Spray Type Bandsaw Steriliser

Sterilisation Bath

- ➔ Electrically heated or via diesel burner
- ➔ Supplied with handling basket and lifting lugs
- ➔ Sizes according to requirements
- ➔ Stainless Steel GR304
- ➔ Mild Steel hot dipped Galvanised



ITEM CODE	DESCRIPTION
ASC 67AC-1	Sterilisation Bath

Sterilisation Wash Bay

- ➔ Electrically heated or via diesel burner
- ➔ Used to sterilize all gambrels, hooks, runners and shackles
- ➔ Electrically heated
- ➔ Supplied with handling basket lifted via chain block
- ➔ Sized according to requirements
- ➔ Stainless Steel GR304
- ➔ Mild Steel hot dipped Galvanised



ITEM CODE	DESCRIPTION
ASC 67AC-1	Sterilisation Wash Bay 1000 x 600 x 1000mm



Abattoir Equipment

CLEANING EQUIPMENT AND CONTAINERS



Wash Cabinet

- ➔ Hangs head or offal for washing
- ➔ Hook with rounded point
- ➔ Available with multiple hooks
- ➔ Stainless Steel
- ➔ Mild Steel Galvanised



ITEM CODE	DESCRIPTION
ASC 70	Wash Cabinet

Pressed Steel Dishes

- ➔ High quality finish
- ➔ Pressed Stainless Steel



ITEM CODE	DESCRIPTION	WEIGHT (KG)	DIMENSIONS (MM)
ASC 114A	Pressed Stainless Steel Dish		235 x 180 x 35
ASC 114B	Pressed Stainless Steel Dish		295 x 210 x 40
ASC 114C	Pressed Stainless Steel Dish		335 x 255 x 50
ASC 114C-1	Pressed Stainless Steel Dish		410 x 285 x 75
ASC 114C-1A	Pressed Stainless Steel Dish		395 x 275 x 55
ASC 114C-2	Pressed Stainless Steel Dish		500 x 365 x 65
ASC 114D	Pressed Stainless Steel Dish		500 x 365 x 10
ASC 114J-1	Pressed Stainless Steel Dish		500 x 365 x 100
ASC 114K-1	Pressed Stainless Steel Dish		1300 x 1000 x 50 3CR12

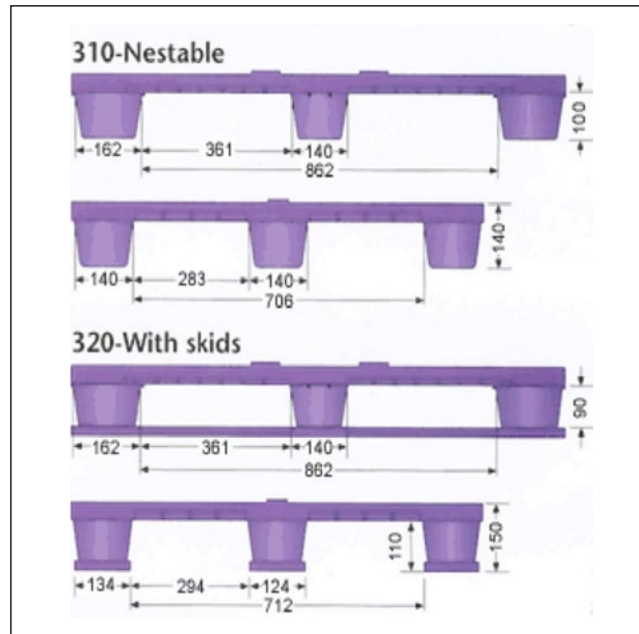
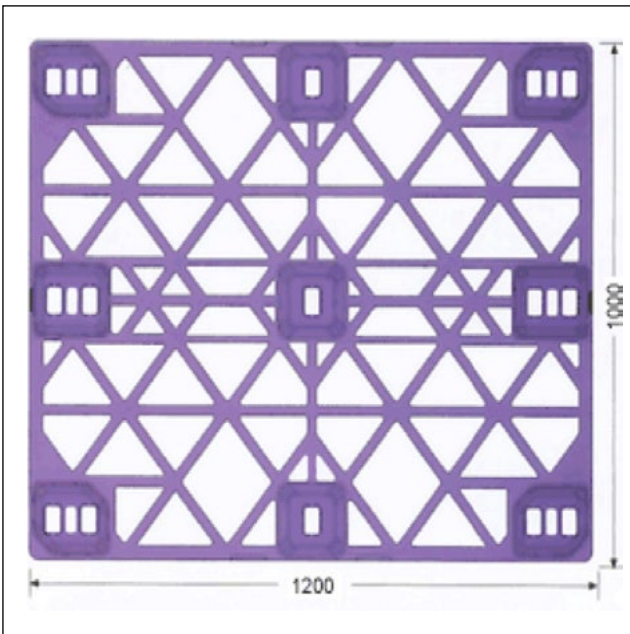


Abattoir Equipment

CLEANING EQUIPMENT AND CONTAINERS

Plastic Pallet

- ➔ Cost-effective, recycled and recyclable - strong and durable High Density Polyethylene
- ➔ Impervious to acids, fats, solvents and odours, and resistant to moisture, insects and fungi
- ➔ Can withstand deep freezing and steam cleaning
- ➔ Clean and easy to handle, free of nails and splinters
- ➔ 4-way forklift entry, usable with hand lifts (pallet jacks)
- ➔ Bridge pallet
- ➔ Perimeter "safety rim" 5mm high
- ➔ Dynamic load capacity of 1000kg - 1250kg, static load capacity of 3000kg - 4000kg, and racking load of 400kg
- ➔ Load capacities quoted are based on functional testing of unified and evenly distributed loads



ITEM CODE	DESCRIPTION	WEIGHT (KG)	DIMENSIONS (MM)
ASC 370	1 Ton Freezer pallet - Black	± 0.2kg 9kg 12	660.4



Abattoir Equipment

CONTAINERS



Heavy Duty Plastic Containers

- ➔ Heavy duty plastic
- ➔ Available in a wide range of sizes



ITEM CODE	DESCRIPTION	CAPACITY (L)	DIMENSIONS (MM)
ASC 115A	Heavy Duty Plastic Container	1000	1500 x 1000 x 680
ASC 115AA	Heavy Duty Plastic Container		2000 x 1000 x 800
ASC 115B	Heavy Duty Plastic Container	113	560 x 440 x 460
ASC 115C	Heavy Duty Plastic Container		1270 x 640 x 155
ASC 115D	Heavy Duty Plastic Container	15	370 x 230 x 190
ASC 115F	Heavy Duty Plastic Container	172	480 x 480 x 810
ASC 115F1	Heavy Duty Plastic Container		660 x 350 x 200
ASC 115H	Heavy Duty Plastic Container	263	600 x 600 x 760
ASC 115L	Heavy Duty Plastic Container		915 x 600 x 635
ASC 115O	Heavy Duty Plastic Container	26	340 x 340 x 240
ASC 115P	Heavy Duty Plastic Container	32	570 x 340 x 180
ASC 115Q	Heavy Duty Plastic Container	79	570 x 450 x 330
ASC 115R	Heavy Duty Plastic Container	500	1120 x 710 x 725
ASC 115S	Heavy Duty Plastic Container	4	235 x 135 x 150
ASC 115T	Heavy Duty Plastic Container	22	355 x 250 x 250
ASC 115U	Heavy Duty Plastic Container	660	1525 x 635 x 685
ASC 115V	Heavy Duty Plastic Container	45	352 x 352 x 370
ASC 115W	Heavy Duty Plastic Container	90	450 x 450 x 480
ASC 115X	Heavy Duty Plastic Container	15	405 x 200 x 200
ASC 115Y	Heavy Duty Plastic Container	56	615 x 315 x 335
ASC 115Y-1	Heavy Duty Plastic Container		620 x 620 x 100
ASC 115YY	Heavy Duty Plastic Container		648 x 387 x 210
ASC 115Z	Heavy Duty Plastic Container	35	1010 x 355 x 125
ASC 116A	Heavy Duty Plastic Container	200	600 x 600 x 635
ASC 116AA	Heavy Duty Plastic Container	168	700 x 300 x 800



Abattoir Equipment

CONTAINERS

ITEM CODE	DESCRIPTION	CAPACITY (L)	DIMENSIONS (MM)
ASC 116BB	Heavy Duty Plastic Container	448	800 x 700 x 800
ASC 116C	Heavy Duty Plastic Container	1000	1000 x 1000 x 1000
ASC 116C-1	Heavy Duty Plastic Container	1000	1000 x 1000 x 1000
ASC 116CC	Heavy Duty Plastic Container	40	400 x 200 x 500
ASC 116D	Heavy Duty Plastic Container	25	490 x 260 x 220
ASC 116DD	Heavy Duty Plastic Container	98	820 x 320 x 400
ASC 116DD-1	Heavy Duty Plastic Container		816 x 465 x 267
ASC 116E	Heavy Duty Plastic Container	33	385 x 385 x 280
ASC 116F	Heavy Duty Plastic Container	52	385 x 385 x 410
ASC 116G	Heavy Duty Plastic Container	57	756 x 756 x 125
ASC 116GG	Heavy Duty Plastic Container		560 x 560 x 100
ASC 116H	Heavy Duty Plastic Container	75	475 x 325 x 540
ASC 116HH	Heavy Duty Plastic Container		180 x 180 x 500
ASC 116I	Heavy Duty Plastic Container	100	1270 x 640 x 155
ASC 116JJ	Heavy Duty Plastic Container		550 x 450 x 195
ASC 116K	Heavy Duty Plastic Container	375	1050 x 610 x 610
ASC 116KK	Heavy Duty Plastic Container		360 x 280 x 300
ASC 116L	Heavy Duty Plastic Container	16	285 x 230 x 280
ASC 116M	Heavy Duty Plastic Container	18	370 x 250 x 230
ASC 116MM	Heavy Duty Plastic Container		250 x 120 x 75
ASC 116N	Heavy Duty Plastic Container	58	580 x 350 x 320
ASC 116O	Heavy Duty Plastic Container	880	1200 x 1000 x 790
ASC 116P	Heavy Duty Plastic Container	27	465 x 110 x 625
ASC 116Q	Heavy Duty Plastic Container	230	1100 x 480 x 485
ASC 116QQ	Heavy Duty Plastic Container		750 x 750 x 50 x 5
ASC 116R	Heavy Duty Plastic Container	34	450 x 325 x 285
ASC 116RR1	Heavy Duty Plastic Container		480 x 360 x 180
ASC 116RR2	Heavy Duty Plastic Container		770 x 410 x 270
ASC 116RRR	Heavy Duty Plastic Container		457 x 330 x 172 JP
ASC 116S	Heavy Duty Plastic Container	450	1000 x 450 x 1025
ASC 116T	Heavy Duty Plastic Container		710 x 510 x 315
ASC 116U	Heavy Duty Plastic Container	120	840 x 840 x 200
ASC 116W	Heavy Duty Plastic Container	68	850 x 400 x 200
ASC 116X	Heavy Duty Plastic Container	140	750 x 750 x 250
ASC 116X-4	Heavy Duty Plastic Container		650 x 650 x 250
ASC 116X2	Heavy Duty Plastic Container		760 x 480 x 290
ASC 116X3	Heavy Duty Plastic Container		685 x 450 x 550
ASC 116Z	Heavy Duty Plastic Container		800 x 445 x 265



Abattoir Equipment

WASTE AND DISPOSAL EQUIPMENT



Waste Bin and Lid

- ➔ Heavy duty construction
- ➔ Available in various sizes



ITEM CODE	DESCRIPTION	CAPACITY (L)	DIMENSIONS (MM)
ASC 114A	Bin & Lid	22 l	
ASC 114B	Bin & Lid	45 l	
ASC 114C	Bin & Lid No Handle	70 l	
ASC 114C-1	Bin & Lid Black JP	90 l	
ASC 114C-2	Bin & Lid White	90 l	
ASC 114D	Bin & Lid	100 l	
ASC 114J-1	Bin & Lid Barrel Blue	220 l	
ASC 114K-1	Bin & Lid Pallet		1000 x 650 x 800
ASC 114L	Bin & Lid	500 l	750 OD x 1200

Wheelie Bin

- ➔ Heavy duty plastic
- ➔ Heavy duty rubber wheels
- ➔ Lockable lid optional
- ➔ Non return chute optional
- ➔ Various colors available



ITEM CODE	DESCRIPTION	CAPACITY (L)	DIMENSIONS (MM)
ASC 112	Wheel Otto Bin Container		



Abattoir Equipment

WASTE AND DISPOSAL EQUIPMENT

Wheelie Bin - Condemned

- ➔ Plastic wheelie bin fitted with stainless steel non return chute
- ➔ Heavy duty rubber wheels
- ➔ Lockable lid
- ➔ Available in two sizes



ITEM CODE	DESCRIPTION	CAPACITY (L)	DIMENSIONS (MM)
ASC 112-2	Otto Bin & Stainless Steel Chute Lockable Complete		

Stainless Steel Wheelie Bin

- ➔ Heavy duty rubber wheels
- ➔ Non return chute / hatch
- ➔ Lockable lid
- ➔ Stainless Steel



ITEM CODE	DESCRIPTION	CAPACITY (L)	DIMENSIONS (MM)
ASC 112-3	Condemned Bin Stainless Steel		500 x 500 x 500
ASC 112-4	Condemned Bin Stainless Steel		750 x 750 x 1000



Abattoir Equipment

BANDSAWS / THERMOMETERS



Butchery Bandsaw

- ➔ 380 volts
- ➔ 330mm blade length
- ➔ Adjustable height and thickness
- ➔ Stainless Steel top



ITEM CODE	DESCRIPTION	WEIGHT (KG)	DIMENSIONS (MM)
ASC 204	Butchery Bandsaw	23.61	660.4

Hand Held Digital Thermometer

Used to effectively check bone temperature, steriliser temperature, food temperature, cooking, thawing, freezing and normal contact temperature.

Used at home, in chillers, butchers, packers, restaurants, wineries and any application for hygienically reading internal temperature.

- ➔ Easy to operate and maintain
- ➔ Completely food/meat safe - Stainless Steel probe
- ➔ Large LED display makes temperature reading easy & accurate
- ➔ Generates clear & precise measurements
- ➔ Its lightweight and compact nature makes it easy to carry/store
- ➔ Auto Off - Memory Hold - °C/°F



Temperature range -50.00°C to +300.00°C.

Resolution 0.1°C.

Accuracy ±0.1°C.

Power 1.5V.

Battery type 1 × 1.5V (included)

ITEM CODE	DESCRIPTION	WEIGHT (KG)	DIMENSIONS (MM)
ASC 67AC-1	Sterilisation Bath		600 × 600 × 600



Abattoir Equipment

MEAT MARKING INK AND PENCILS

MARKING MEAT PENCIL

- ➔ Ideal for labelling meat
- ➔ Extra break-resistant lead due to secural bonding process
- ➔ Environmentally-friendly water-based varnish
- ➔ Extra thick lead with soft colour lay down

ITEM CODE	DESCRIPTION
ASC 319a	Black
ASC 319a	Blue
ASC 319a	Red



Edible Marking Ink

- ➔ Ideal for marking meat
- ➔ Quick Drying
- ➔ Certified fit for human consumption
- ➔ Every batch is registered for quality control
- ➔ Available in various colours

ITEM CODE	DESCRIPTION	SIZE (L)
ASC 2001	Red	5l
ASC 2002	Orange	5l
ASC 2003	Violet	5l
ASC 2004	Black	5l
ASC 2005	Brown	5l
ASC 2007	Green	5l





Abattoir Equipment

PORTABLE SCREENS AND FRAMES



PVC Wash Screen

- ➔ Developed for maximum use of available space
- ➔ Portable
- ➔ 600 micron blood and fat PVC screen with eyelets
- ➔ Sized to requirements
- ➔ Stainless Steel frame

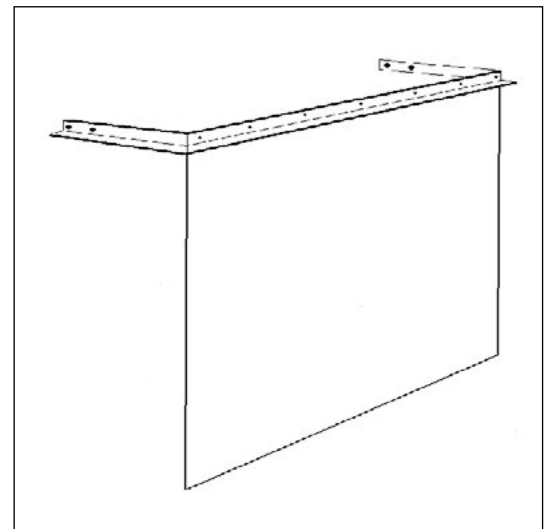
ITEM CODE	DESCRIPTION
ASC 81	Wash Screen Frame 2x2 Overall Stainless Steel
ASC 81a	Screen PVC 2 X 3m 600 Micron White



Portable Frame Strips

- ➔ Angle iron connected to supporting beam
- ➔ Sized to requirements
- ➔ As shown or in strips for doorway
- ➔ Heavy duty PVC screen

ITEM CODE	DESCRIPTION
ASC 82	Wash Screen 2.4 x 2 Hang
ASC 82a	Wash Screen Bracket 3.5m
ASC 82B	Screen PVC Strip 350 W/M





Abattoir Equipment

TROLLEYS AND CARTS

Hide and Parts Trolley

- ➔ Made to required size. Includes heavy duty rubber wheels

ITEM CODE	DESCRIPTION
ASC 110	Hide Trolley Mild Steel
ASC 110-a	Hide Trolley Stainless Steel
ASC 110sp	Hide Trolley with Sides Mild Steel
ASC 111	Rough Offal Transporter Galvanised
ASC 111-1	Wheel 250mm O/D 25mm Shaft WSS144PB
ASC 111-1a	Wheel 350 Diameter 20 Shaft



Offal and Parts Cart

- ➔ Adjustable feet
- ➔ Sized according to requirements

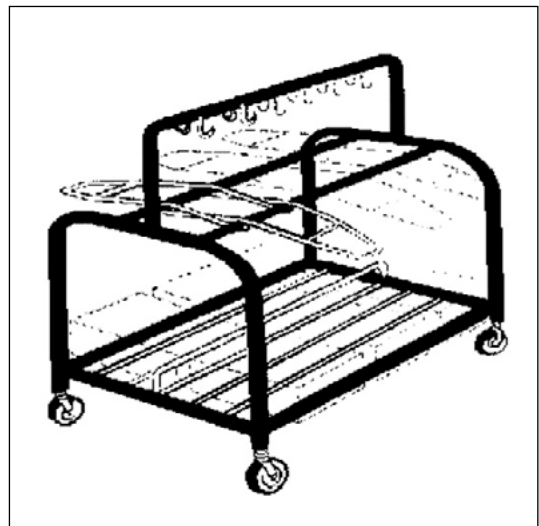
ITEM CODE	DESCRIPTION	DIMENSIONS (MM)
ASC 111a	Rough Offal Transporter 3CR12	
ASC 111a1	Offal Transporter 3CR12 Stainless Steel	2000 x 1000 x 1000
ASC 111a2	Offal Transporter 3CR12 Stainless Steel	2000 x 1000 x 400



Head and Offal Trolley

- ➔ Sized according to requirements
- ➔ Lower bins from Stainless Steel
- ➔ Stainless Steel or Mild Steel Galvanised

ITEM CODE	DESCRIPTION
ASC 96	Head & Offal Trolley Stainless Steel
ASC 96a	Head & Offal Trolley Mild Steel





Abattoir Equipment

TROLLEYS AND CARTS



Red Offal Trolley

- ➔ Angle iron connected to supporting beam
- ➔ Sized to requirements
- ➔ As shown or in strips for doorway
- ➔ Heavy duty PVC screen

ITEM CODE	DESCRIPTION
ASC 97	Equipment Storage Mild Steel
ASC 97a	Equipment Storage 2m Stainless Steel
ASC 97B	Carton Trolley Stainless Steel



Red Offal Trolley with Hooks

- ➔ Made to required size
- ➔ Heavy duty rubber wheels
- ➔ Sized according to requirements
- ➔ Stainless Steel or Mild Steel Galvanised

ITEM CODE	DESCRIPTION
ASC 97	Red Offal Trolley With Hooks
ASC 97a	Red Offal Trolley With Hooks Stainless Steel



Dustbin Trolley

- ➔ Heavy duty rubber wheels
- ➔ Mild Steel Galvanised

ITEM CODE	DESCRIPTION
ASC 109	Dustbin Transporter Stainless Steel GR304
ASC 109a	Wheel Transporter WSR062
ASC 114a	Bin and Lid 22 l



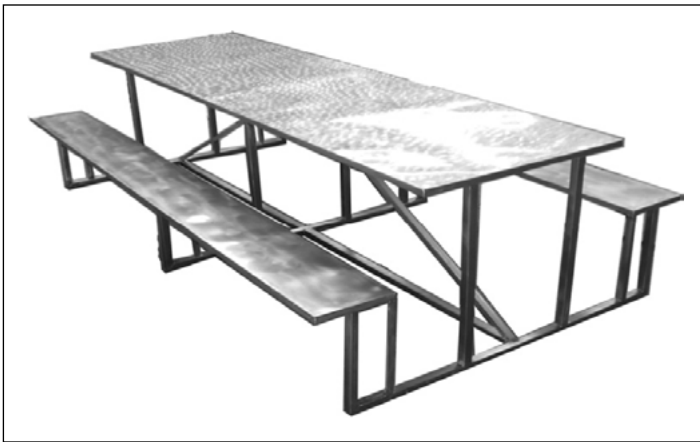


Abattoir Equipment

STAINLESS STEEL TABLES

Stainless Steel Table

- ➔ 0.9 Stainless Steel top over 1.6 Mild Steel powder coated
- ➔ Mild Steel angle frame or tube leg with adjustable feet



ITEM CODE	DESCRIPTION	WEIGHT (KG)	DIMENSIONS (MM)
ASC 60	Table Dining 8 Seat Stainless Steel G304		
ASC 60-1	Table Dining 8 Seat Mild Steel Painted Galvanised Top		
ASC 60-2	Table Dining 8 Seat Mild Steel Painted Stainless Steel Top		
ASC 61-1	Table Mild Steel Frame		650 x 760 x .9 Stainless Steel
ASC 61-2	Table Stainless Steel Top Mild Steel Frame		900 x 760 x .9
ASC 61-3	Table Stainless Steel Top Mild Steel Frame		1100 x 760x .9
ASC 61-4	Table Stainless Steel Top Mild Steel Frame		1700 x 760 x .9
ASC 61-5	Table Stainless Steel Top Mild Steel Frame		2300 x 760 x .9
ASC 61A-1	Table Splash Stainless Steel Mild Steel Frame		650 x 760 .9
ASC 61A-2	Table Splash Stainless Steel Top Mild Steel Frame		900 x 760 .9
ASC 61A-3	Table Splash Stainless Steel Top Mild Steel Frame		1100 x 610 .9
ASC 61A-4	Table Splash Stainless Steel Top Mild Steel Frame		1700 x 760 .9
ASC 61A-5	Table Splash Stainless Steel Top Mild Steel Frame		2300 x 760.9
ASC 62A-1	Table HD Stainless Steel Top Mild Steel Frame		1100 x 1000 x 1.6
ASC 62A-2	Table HD Stainless Steel Top Mild Steel Frame		1700 x 1000 x 1.6
ASC 62A-3	Table HD Stainless Steel Top Mild Steel Frame		2300 x 1000 x 1.6
ASC 62B-1	Table XHD Top All Stainless Steel		1150 x 1150 2.5
ASC 62B-2	Table XHD Top All Stainless Steel		2400 x 525 2.5
ASC 62B-3	Table XHD Top All Stainless Steel		1400 x 900 2.5
ASC 62B-4	Table XHD Top All Stainless Steel		2400 x 1150 2.5
ASC 62C	Table Mild Steel Galvanised		1900 x 900



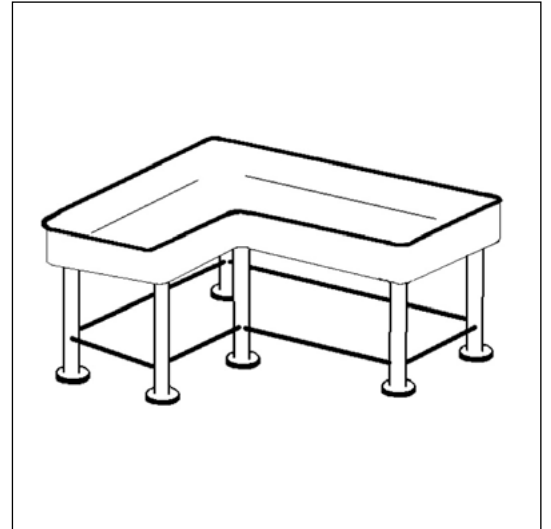
Abattoir Equipment

STAINLESS STEEL TROUGHS



Tripe Slide Trough

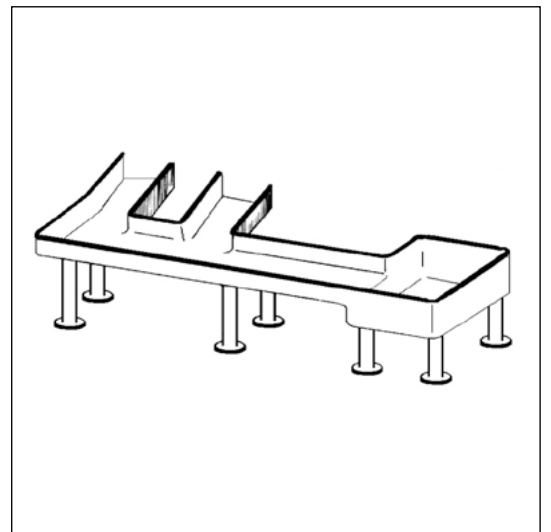
- ➔ Adjustable feet
- ➔ Sized according to requirements
- ➔ Stainless Steel



ITEM CODE	DESCRIPTION
ASC 56	Tripe Slide Trough Mild Steel Galvanised

Tripe Dunk Trough

- ➔ Adjustable feet
- ➔ Sized according to requirements
- ➔ Stainless Steel



ITEM CODE	DESCRIPTION
ASC 56sp	Tripe Chute & Trough Stainless Steel GR304

Bleeding Trough

- ➔ Adjustable feet
- ➔ Sized according to requirements
- ➔ Stainless Steel

ITEM CODE	DESCRIPTION
ASC 57	Bleeding Trough



Abattoir Equipment

STAINLESS STEEL TROUGHS

Wash Trough

- ➔ Sized according to requirements, includes adjustable feet
- ➔ Stainless Steel or Mild Steel Galvanised

ITEM CODE	DESCRIPTION
ASC 63	Table Intestine Cleaning 3000mm
ASC 63-SP	Packing & Weighing Trough Stainless Steel GR304
ASC 63A-1SP	Breaking Trough Stainless Steel GR304
ASC 63B	Wash Trough Stainless Steel 2000mm
ASC 63C	Table Intestine Mild Steel 2100 - 2600 LG



Table Paunch with Chute

- ➔ Adjustable feet
- ➔ Removable grid
- ➔ Sized according to requirements
- ➔ Rodent proof exit flap
- ➔ Stainless Steel



ITEM CODE	DESCRIPTION	WEIGHT (KG)	DIMENSIONS (MM)
ASC 58	Table Paunch Opening 1 x 1 Grid Galvanised		
ASC 58-1	Table Paunch Opening Grid & Chute Stainless Steel		2000
ASC 58A	Table Paunch Opening & Chute Stainless Steel		4000
ASC 58B	Table Paunch Opening & Chute Stainless Steel		3000
ASC 58C	Table Paunch Opening & Chute L Shaped		



Abattoir Equipment

PLATFORMS



Dispatch Platform

- ➔ Pipe construction, with "Vastrap" flooring
- ➔ Includes mobile with lockable wheels
- ➔ Sized according to requirements
- ➔ Stainless Steel or Mild Steel Galvanised

ITEM CODE	DESCRIPTION
ASC 86	Dispatch Platform Mobile 3 Step
ASC 86A	Dispatch Platform Mobile 8 step
ASC 86B	Dispatch Platform Mobile 7 step
ASC 86C	Dispatch Platform Mobile 6 step
ASC 86D	Dispatch Platform Mobile 5 step Spec
ASC 86E	Dispatch Platform Mobile 4 step
ASC 86F	Dispatch Platform Mobile 3 step



Inspection Platform

- ➔ Angle iron construction with "Vastrap" flooring
- ➔ Optional adjustable feet
- ➔ Sized according to requirements
- ➔ Mild Steel Galvanised or Stainless Steel

ITEM CODE	DESCRIPTION
ASC 83	Inspection Platform 2-Step Galvanised
	Inspection Platform 2-Step Stainless Steel
ASC 83B	Platform 1200 X 600 3 Step Galvanised
ASC 83B-1	Platform 1200 X 600 Stainless Steel
ASC 83E-1	Platform .5x.7x1 1lvl Stainless Steel
	Platform 4 Step Galvanised
	Platform 4 Step Stainless Steel





Abattoir Equipment

PLATFORMS

Dressing Platform

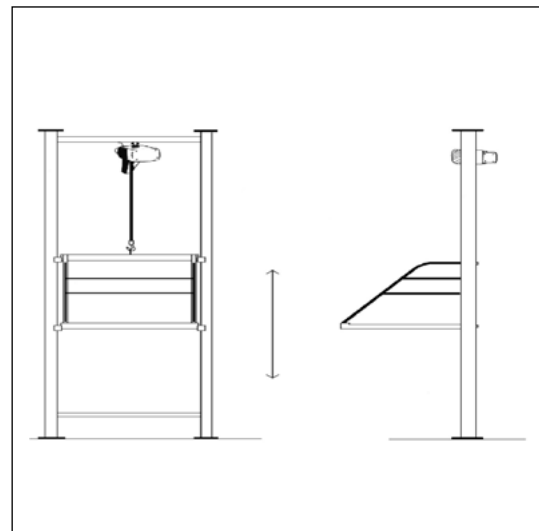
- ➔ Mobile with adjustable feet
- ➔ Sized according to requirements
- ➔ "Vastrap" flooring
- ➔ Stainless Steel or Mild Steel Galvanised

ITEM CODE	DESCRIPTION
ASC 86	Dressing Platform Mobile 3 Step
ASC 86A	Dressing Platform Mobile 8 step
ASC 86B	Dressing Platform Mobile 7 step
ASC 86C	Dressing Platform Mobile 6 step
ASC 86D	Dressing Platform Mobile 5 step Spec
ASC 86E	Dressing Platform Mobile 4 step
ASC 86F	Dressing Platform Mobile 3 step



Elevating Platform

- ➔ Pneumatic or electric operation with foot control
- ➔ Sized according to requirements
- ➔ "Vastrap" flooring
- ➔ Mild Steel Galvanised



ITEM CODE	DESCRIPTION	WEIGHT (KG)	DIMENSIONS (MM)
ASC 90	Elevating Platform	350 (incl. Hoist)	3600 x 910 x 900



Abattoir Equipment

PLATFORMS



Paunch Platform

- ➔ Optional pan and slide
- ➔ Optional brisket saw step
- ➔ Optional adjustable feet
- ➔ Sized according to requirements
- ➔ "Vastrap" flooring
- ➔ Mild Steel Galvanised or Stainless Steel



ITEM CODE	DESCRIPTION	DIMENSIONS (MM)
ASC 89	Paunch Platform Mild Steel Galvanised Excl Slide	
ASC 89-1	Paunch Platform Stainless Steel Excluding Slide	
ASC 89-1ASP	Paunch Platform Extension	
ASC 89A	Paunch Slide Stainless Steel	2400 x 700
ASC 89B	Chute 1/2 Round 30dia 3.8 Long Stainless Steel	
ASC 89B-SP	Chute Vertical Mobile Stainless Steel GR304	1500 x 500 x 500
ASC 89C-SP	Box Chute "01" Stainless Steel GR304	
ASC 89D-SP	Box Chute "02" Stainless Steel GR304	
ASC 89E-SP	Protection Screen Stainless Steel GR304	
ASC 89F-SP	Slide Stainless Steel GR304	6000 x 350

Dressing Platform

- ➔ Mobile with adjustable feet
- ➔ Sized according to requirements with "Vastrap" flooring
- ➔ Stainless Steel or Mild Steel Galvanised



ITEM CODE	DESCRIPTION
ASC 86	Dressing Platform Mobile 3 Step
ASC 86A	Dressing Platform Mobile 8 step
ASC 86B	Dressing Platform Mobile 7 step
ASC 86C	Dressing Platform Mobile 6 step
ASC 86D	Dressing Platform Mobile 5 step Spec
ASC 86E	Dressing Platform Mobile 4 step

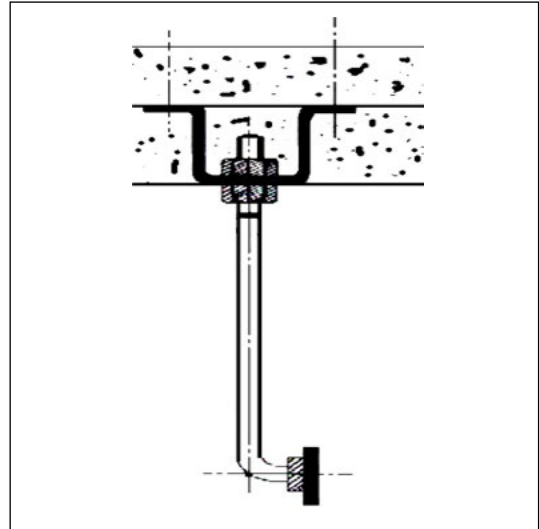


Abattoir Equipment

RAIL SYSTEMS & SWITCH HANGER RAILS

Cast-In Type

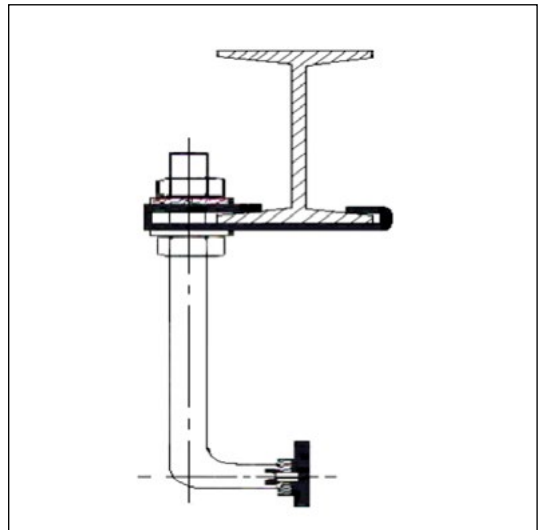
- ➔ Hanger fitted within concrete roof
- ➔ Stainless Steel or Mild Steel Galvanized with painted finish



ITEM CODE	DESCRIPTION
ASC	Hide Trolley Mild Steel

Clip Type

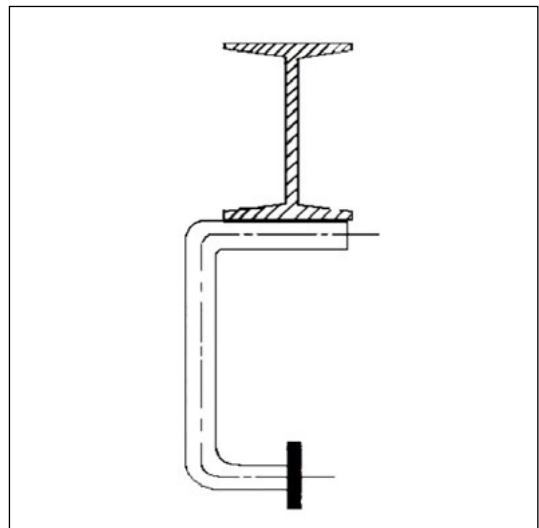
- ➔ Clip on and bolt or weld on
- ➔ Stainless Steel or Mild Steel Galvanized with painted finish



ITEM CODE	DESCRIPTION
ASC 30a	Hanger Bolt Complete Clip Type 450mm Long
ASC 30-1	Rail Hanger Top Clip Set Galvanised
ASC 30-2	Hanger Bolt Clip Type 600mm Long Mild Steel Plated
ASC 30-3	Hanger Bolt Clip Type 450mm Long Mild Steel Plated

Weld Type

- ➔ Stainless Steel or Mild Steel Galvanized



ITEM CODE	DESCRIPTION
ASC 30a	Hanger Rail Bolt Weld-In
ASC 96a	Head & Offal Trolley Mild Steel



Abattoir Equipment

RAIL SYSTEMS & SWITCHES



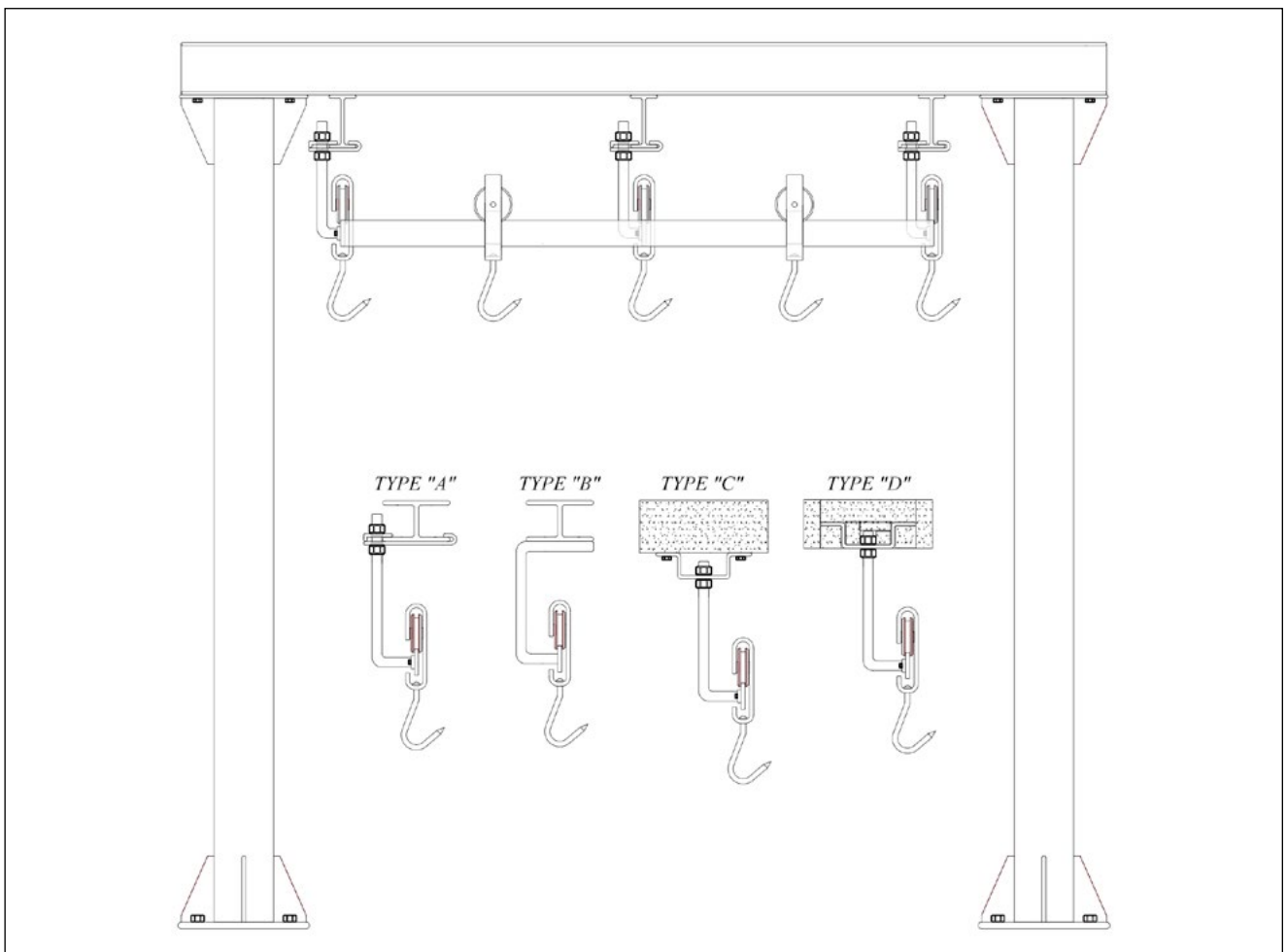
Rail Systems Overhead Chain Conveyor

We design and fabricate complete track systems for new and existing systems. Clients provide a complete rough sketch (with information requested) or a drawing and we return a track and steel layout for approval. A well organized, well installed overhead track system requires a complete survey of plant facilities and exact engineering of track layouts. In addition to construction costs an improper layout can add to everyday operating costs resulting from increased handling. Track systems can be shipped complete ready to install by your staff or our installation team. The necessary hangers, switches and bolts for the complete assembly will be included. If required we will recommend and design the overhead supporting structure best suited to the building construction. Supplied in Mild Steel Galvanized with painted finish.

Information required for an accurate quote:

- ➔ Inside dimensions of building, location of doors, ceiling heights
- ➔ Requirements and position of scales, lifting and lowering devices
- ➔ Hanger siding on any joining system
- ➔ Location of any existing plant machinery

ITEM CODE	DESCRIPTION
ASC 634A	Top Plate
ASC 678A	Top Plate
ASC 678CC	Drop Fingure Extension
ASC 678B	Middle Bracket
ASC 678C	Drop Fingure
ASC 348B	Middle Plate
ASC 634B	Middle Plate
ASC 458A	Top Plate
ASC 458C	Drop Plate





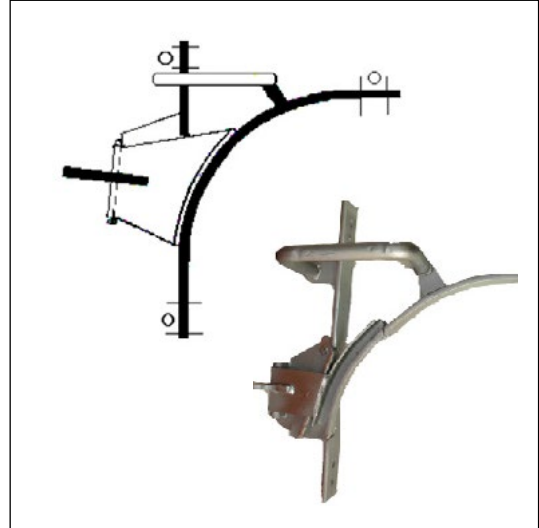
Abattoir Equipment

RAIL SYSTEMS & SWITCHES

Right Hand Ordinary (RHO)

➔ Stainless Steel or Mild Steel Galvanized

ITEM CODE	DESCRIPTION
ASC 21c	Switch Rail RHO 80 X 12mm
ASC 21a	C.I. 80 X 12
ASC 21	80 X 12 Stainless Steel



Left Hand Ordinary (LHO)

➔ Stainless Steel or Mild Steel Galvanized

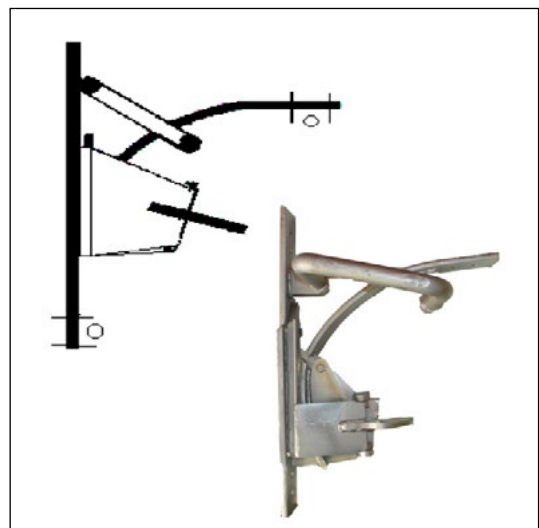
ITEM CODE	DESCRIPTION
ASC 24	Switch Rail LHO 80 X 12mm
ASC 24B	C.I. 100 X 20
ASC 24A	C.I. 80 X 12
ASC 24C	Mild Steel 80x12
ASC 21D	80 X 12 Standard Bend



Right Hand Cut Though (RHCT)

➔ Stainless Steel or Mild Steel Galvanized

ITEM CODE	DESCRIPTION
ASC 22	Switch Rail LHO 80 X 12mm
ASC 22B	C.I. 100 X 20
ASC 22A	C.I. 80 X 12
ASC 22C	Mild Steel 80x12





Abattoir Equipment

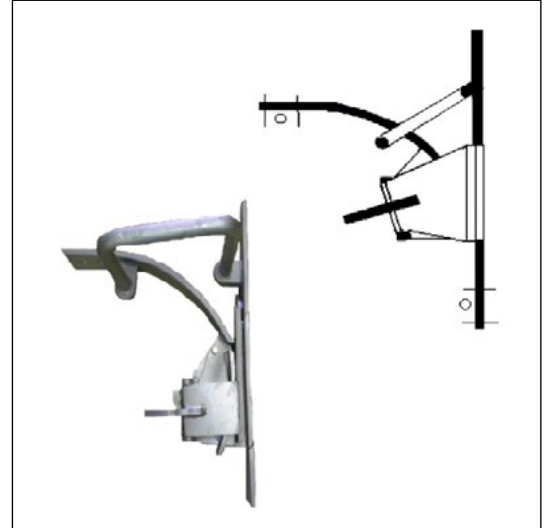
RAIL SYSTEMS & SWITCHES



Left Hand Cut Though (LHCT)

➔ Stainless Steel or Mild Steel Galvanized

ITEM CODE	DESCRIPTION
ASC 25	Switch Rail LHO 80 X 12mm
ASC 25B	C.I. 100 X 20
ASC 25A	C.I.80×12
ASC 25C	Mild Steel 80×12





Abattoir Equipment

TRACK RUNNER | LOW HEADROOM | DOUBLE HOOK

Track Runners

- ➔ For the dressing and hanging of carcasses
- ➔ Frame Mild Steel Galvanized, Stainless Steel shaft and hook
- ➔ Nylon, Mild Steel, or Cast Iron wheel
- ➔ With or without safety lip
- ➔ Will suite 80 X 12 rail, wheel for 80 × 12 or 100 × 20 rail
- ➔ Made for low headroom



ITEM CODE	DESCRIPTION
ASC 60	Runner Track Shaft
ASC 60-1	Runner Track 80 X 12 Pig Tail
ASC 60-1	Runner Track Wheel (Only) 80 X 12
ASC 60-2	Runner Track 80 X 12mm Nylon Wheel
ASC 61-1	Runner Track (Gal Hook)
ASC 61-2	Runner Track Double Hook
ASC 61-3	Runner Track 80 X 12 Special
ASC 61-4	Runner Track Frame 80 X 12mm
ASC 61-5	Runner Track Small Metal Wheel (Discontinued)
ASC 61A-1	Runner Track Small Metal Wheel Trolley
ASC 61A-2	Runner Track Large Ci Wheel Unmachined
ASC 61A-3	Runner Track Large Metal Wheel Trolley
ASC 61A-4	Runner Track Large Ci Wheel Machined
ASC 61A-5	Runner Track Exacto Nylon Wheel 176
ASC 62A-1	Runner Track Nylon Wheel Tapered
ASC 62A-2	Runner Track Steel Wheel
ASC 62A-3	Runner Track 80 X 12 Repairs
ASC 62B-1	Runner Track Wheel Nylon 100 X 20
ASC 62B-2	Runner Track 100 X 20 Nylon
ASC 62B-3	Runner Track Hook - 16 Mm Stainless Steel
ASC 62C	Runner Track Pipe MS Galvanised SS Hook Nylon



Abattoir Equipment

STUNNING EQUIPMENT



Stunner Cartridges

- ➔ Mild Steel galvanized

ITEM CODE	DESCRIPTION
ASC CT4B	CASH Green - Cattle
ASC CT1	CASH Yellow - Sheep / Pigs
ASC CT1	Black / Red



Stunner CASH Magnum Knocker

- ➔ Non-penetrating concussion stunner
- ➔ Complies with religious slaughtering requirements
- ➔ Permits the saving of the brain in the whole state
- ➔ Fast to operate

ITEM CODE	DESCRIPTION
ASC CT1M	Stunner CASH Magnum Knocker



Stunner CASH Magnum & Parts

- ➔ Captive bolt stunner
- ➔ Full bolt penetration eliminating operator error
- ➔ Low maintenance-fewer parts
- ➔ Palm or finger operated button trigger
- ➔ Robust solid construction – safe to operate
- ➔ Fast to operate - very high bolt velocity

ITEM CODE	DESCRIPTION
ASC ct1e	Stunner CASH Magnum





Abattoir Equipment

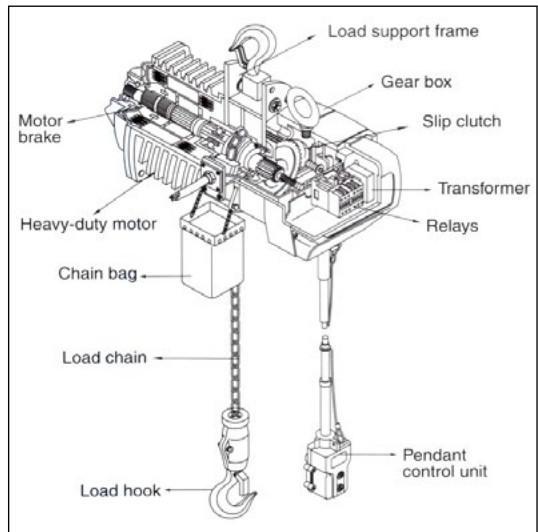
LIFTING EQUIPMENT

Electric Chain Hoist

- ➔ Advanced brake system
- ➔ Super high load chain
- ➔ Integral hermetic structure
- ➔ Safety protection devices
- ➔ Ultra-short design (1/2 tons-5 tons, single/dual speed), patented
- ➔ Mechanical brake system with overload protection device patented in Taiwan China, USA and Germany (for K Series)
- ➔ Electromagnetic fail to safe brake
- ➔ Low voltage control
- ➔ Overload and limit switching
- ➔ Swivel lower hook
- ➔ 380 Volts standard



ITEM CODE	CAPACITY	SPEED	LIFT
CAT 158A	1/4 Ton	10 m/min	3m
CAT 158B	1/4 Ton	10 m/min	4m
CAT 159	1/2 Ton	6.7 m/min	6m
CAT 159A	1/2 Ton	6.7 m/min	3m
CAT 160	1 Ton	4.6 m/min	6m
CAT 160A	1 Ton	4.6 m/min	3m
CAT 160B	1 Ton	7.1 m/min	6m
CAT 161	2 Ton	2.3 m/min	6m
CAT 161B	2 Ton	6.8 m/min	6m
CAT 161C	2 Ton	2.3 m/min	3m



ITEM CODE	CAPACITY	TYPE
CAT 159C	1/2 TON	Trolley
CAT 159D	1/2 TON	Chain Block
CAT 159D1	1 1/2 TON	Chain Block
CAT 160C	1 TON	Trolley
CAT 160D	1 TON	Chain Block
CAT 161D	2 TON	Trolley
CAT 161D2	2 TON	Chain Block
CAT 161D3	3 TON	Chain Block

Technical Specifications

Capacity Range 500 Kg to 30 Tons

Power Supply 220-600 V 50/60HZ, 3PH 500Kgs-2

Tons 220-230 V 50/60HZ, 1PJ



SECTION 5

62

Abattoir Supply Co Product Catalogue 2023

HOOKS, SKIDS AND GAMBRELS

Manufacture & supply of cattle, sheep, pig, poultry and game slaughtering equipment at competitive pricing.





Hooks

GENERAL PURPOSE HOOKS

S Hooks

- ➔ Stainless Steel or Electro galvanized
- ➔ Sold per box of 50
- ➔ All lengths available
- ➔ To suite 20 to 25 NB pipe



ITEM CODE	DESCRIPTION	SIZE (MM)	MATERIAL	APPLICATION
ASC 11	S Hook 6" (Sold Per Box 50)	16	Electro 16 Galvanised Mild Steel	20x25 NB Pipe
ASC 11B	S Hook 8" (Sold Per Box 50)	16	Electro 16 Galvanised Mild Steel	20x25 NB Pipe
ASC 11C1	S Hook 5" (Sold Per Box 50)	16	Stainless Steel	20x25 NB Pipe
ASC 11C	S Hook 6" (Sold Per Box 50)	16	Stainless Steel	20x25 NB Pipe
ASC 11C	S Hook 7" (Sold Per Box 50)	16	Stainless Steel	20x25 NB Pipe
ASC 11D	S Hook 8" (Sold Per Box 50)	16	Stainless Steel	20x25 NB Pipe

Transfer/Off-Line/In-Line/Inspection

- ➔ Available in Stainless Steel or Electro galvanized
- ➔ To suite 20 round bar
- ➔ Additional items to any specification and requirements
- ➔ To suite 20 to 25 NB pipe



ITEM CODE	DESCRIPTION	SIZE (MM)	MATERIAL	APPLICATION
ASC 119A	Transfer	16	Stainless Steel GR304	20mm Diameter Roundbar
ASC 120	Off-Line Meat		Stainless Steel	
ASC 119	In-Line Meat		Stainless Steel GR304	
ASC 120A	Inspection Meat		Stainless Steel GR304	



Hooks

SHEEP CARRIER LOW HEADROOM / EXTENDED HANGER



Low Headroom Sheep Carriers

- ➔ Inward or outward
- ➔ Additional items to any specification and requirements
- ➔ Stainless Steel GR304 or Electro Galvanised

ITEM CODE	DESCRIPTION	MATERIAL	APPLICATION
ASC 41-6ss1-LH	6 Hook In	Stainless Steel	4 -6 Sheep
ASC 41-6ss2-LH	6 Hook Out	Stainless Steel	4 -6 Sheep
ASC 41-8ss1-LH	8 Hook In	Stainless Steel	8 Sheep
ASC 41-8ss2-LH	8 Hook Out	Stainless Steel	8 Sheep
ASC 41-10ss1-LH	10 Hook In	Stainless Steel	10 Sheep
ASC 41-10222-LH	10 Hook Out	Stainless Steel	10 Sheep
ASC 41-6EG1-LH	6 Hook In	Electro Galvanised	4 -6 Sheep
ASC 41-6EG2-LH	6 Hook Out	Electro Galvanised	4 -6 Sheep
ASC 41-8EG1-LH	8 Hook In	Electro Galvanised	8 Sheep
ASC 41-8EG2-LH	8 Hook Out	Electro Galvanised	8 Sheep
ASC 41-10EG1-LH	10 Hook In	Electro Galvanised	10 Sheep
ASC 41-10EG2-LH	10 Hook Out	Electro Galvanised	10 Sheep



Extended Hanger Sheep Carriers

- ➔ Inward or outward
- ➔ Additional items to any specification and requirements
- ➔ Stainless Steel GR304 or Electro Galvanised

ITEM CODE	DESCRIPTION	MATERIAL	APPLICATION
ASC 41-6ss1-EH	6 Hook In	Stainless Steel	4 -6 Sheep
ASC 41-6ss2-EH	6 Hook Out	Stainless Steel	4 -6 Sheep
ASC 41-8ss1-EH	8 Hook In	Stainless Steel	8 Sheep
ASC 41-8ss2-EH	8 Hook Out	Stainless Steel	8 Sheep
ASC 41-10ss1-EH	10 Hook In	Stainless Steel	10 Sheep
ASC 41-10222-EH	10 Hook Out	Stainless Steel	10 Sheep
ASC 41-6EG1-EH	6 Hook In	Electro Galvanised	4 -6 Sheep
ASC 41-6EG2-EH	6 Hook Out	Electro Galvanised	4 -6 Sheep
ASC 41-8EG1-EH	8 Hook In	Electro Galvanised	8 Sheep
ASC 41-8EG2-EH	8 Hook Out	Electro Galvanised	8 Sheep
ASC 41-10EG1-EH	10 Hook In	Electro Galvanised	10 Sheep
ASC 41-10EG2-EH	10 Hook Out	Electro Galvanised	10 Sheep





Hooks

CARRIER AND OFFAL HOOKS

Carrier Hooks

- ➔ Stainless Steel or Electro galvanized
- ➔ All lengths available
- ➔ To suite 20 to 25 NB pipe



ITEM CODE	DESCRIPTION	SIZE (MM)	MATERIAL	APPLICATION
ASC 43	Carrier Meat 6 Hook	665×406×130	Hot Galvanised Mild Steel	Carry Heavy Cuts of Meat
ASC 39a	Carrier Offal Rib Rack	1150×500×500	Stainless Steel	Carry Offal
ASC 119	Rib Rack	1800×145×145	Stainless Steel GR304	Carry Ribs

Chain Link & Hook

- ➔ Used as a pig dressing
- ➔ Extension chain, general purpose extension chain or cattle bleeding chain
- ➔ Links sized for easy slip and knot
- ➔ Any number of links as per individual requirement

ITEM CODE	DESCRIPTION	MATERIAL
ASC 4B	5-Link Chain	Galvanised Mild Steel
ASC 4C	7-Link Chain	Galvanised Mild Steel
ASC 4D	9-Link Chain	Galvanised Mild Steel





Skids

SKID HOOKS AND ACCESSORIES



Skid Hook

- ➔ Used for handling processed carcasses such as sheep, pork, beef and venison
- ➔ Also great for handling volume weight such as sausages
- ➔ With a swiveling hook processes meat can be worked on from any direction while hanging on the rail



ITEM CODE	DESCRIPTION	SIZE (MM)	MATERIAL	APPLICATION
ASC 16A	Skid Hook 12" (Per Hook)	40 x 10 (frame) 12 (hook)	Hot Galvanised Mild Steel	Trucks and General Hanging 48mm Tubular Rail
ASC 16A	Skid Hook 12" (Per Hook)	40 x 10 (frame) 12 (hook)	Stainless Steel	Trucks and General Hanging 48mm Tubular Rail
ASC16-1	Hook	12 Hook	Hot Galvanised Mild Steel	
ASC 16-1	Hook	12 Hook	Stainless Steel	
ASC 16-1	Hook	16 Hook	Hot Galvanised Mild Steel	
ASC 16-1	Hook	16 Hook	Stainless Steel	

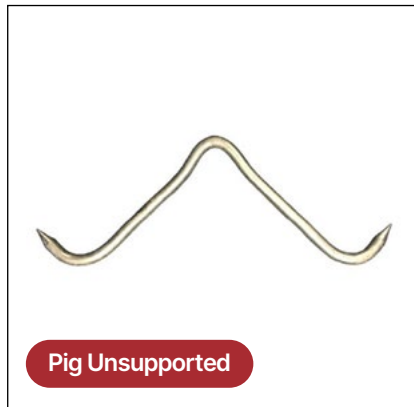
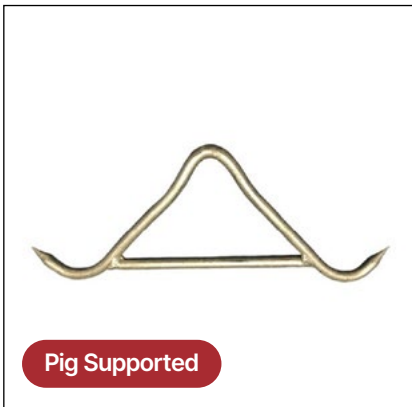
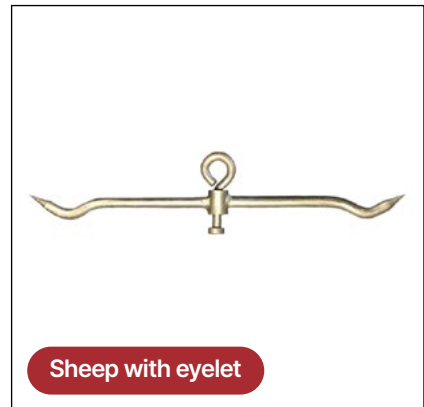
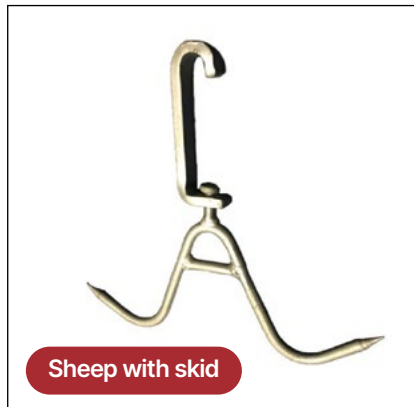
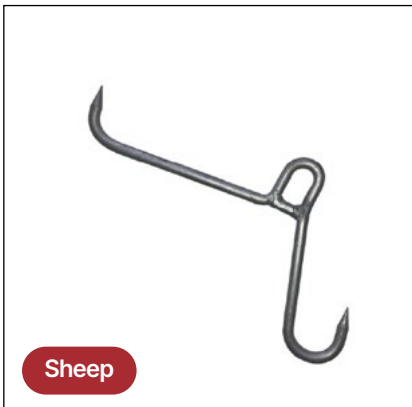


Gambrels

ASSORTED GAMBRELS

Gambrels

- ➔ Stainless steel or Electro galvanized
- ➔ Available in supported & unsupported, swivel or skid
- ➔ Hooks for suspending a carcass in a more spread out fashion



ITEM CODE	DESCRIPTION	SIZE	MATERIAL	APPLICATION
ASC 32	Gambrel Unsupported	470 X 200	Stainless Steel	Sheep/Pigs
ASC 32	Gambrel Unsupported	470 X 200	Mild Steel Galvanised	Sheep/Pigs
ASC 33	Gambrel Pig Supported	470 x 200	Stainless Steel	Sheep/Pigs
ASC 33	Gambrel Pig Supported	470 x 200	Mild Steel Galvanised	Sheep/Pigs
ASC	Gambrel Swivel 16mm	16x480	Mild Steel Galvanised	Sheep/Pigs
ASC	Gambrel Swivel 20mm	20x480	Mild Steel Galvanised	Sheep/Pigs
ASC 36	Gambrel Sheep	320(L)	Stainless Steel	Sheep/Pigs
ASC 36	Gambrel Sheep	320(L)	Mild Steel Galvanised	Sheep/Pigs
ASC 36-1	Gambrel Sheep With Skid	320(L)	Stainless Steel	Sheep/Pigs
ASC36-2	Gambrel Sheep With Skid	320(L)	Mild Steel Galvanised	Cattle
ASC	Spreader Beef	27"	Mild Steel Galvanised	Cattle
ASC	Spreader Beef	1010 x 130 x 65	Stainless Steel	



Gambrels

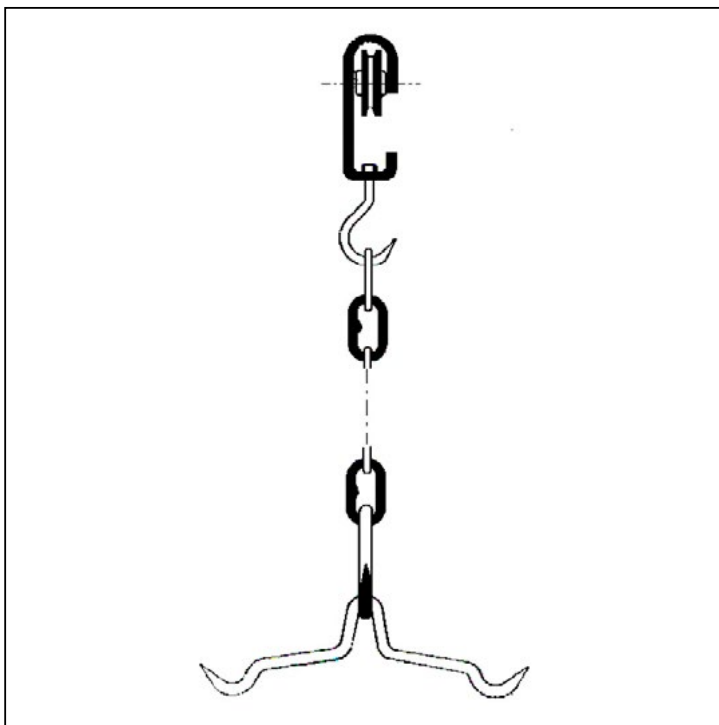
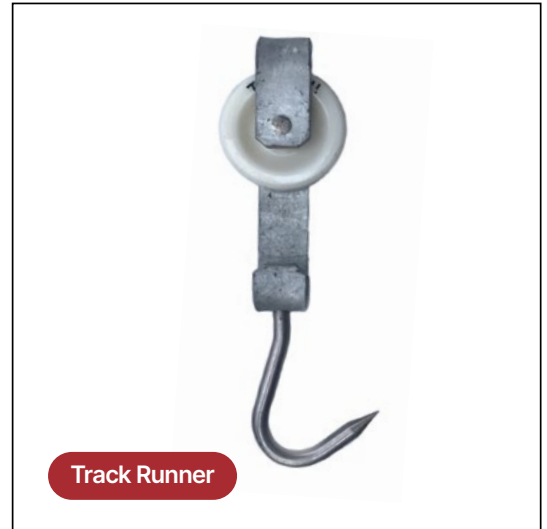
ASSORTED GAMBRELS



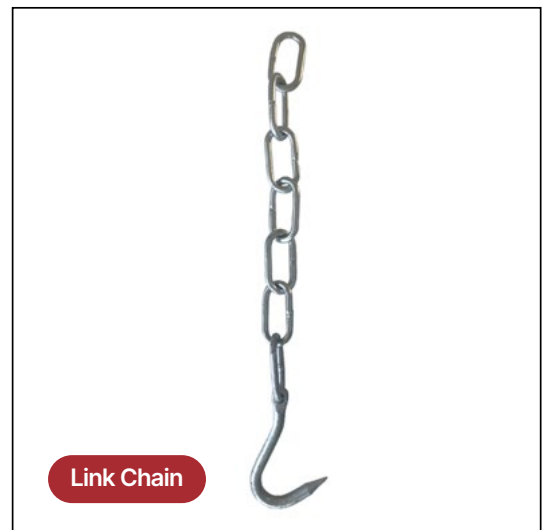
Pig Dressing Gambrel

➔ For pig dressing on beef line

ITEM CODE	DESCRIPTION	MATERIAL
ASC 17	Track Runner	Galvanised Mild Steel
ASC 14	7 Link Chain	Galvanised Mild Steel
ASC	Pig Unsupported	Galvanised Mild Steel



General idea of assembly.





Gambrels

SPREADERS

Beef Spreader

➔ Available in Stainless Steel or Mild Steel Galvanised



ITEM CODE	DESCRIPTION	SIZE (MM)	MATERIAL	APPLICATION
ASC	Gambrel Beef	127"	Mild Steel Galvanised	Carcass Weight <50 Kg
ASC	Gambrel Beef	1010 × 130 × 65	Stainless Steel	Carcass Weight <50 Kg



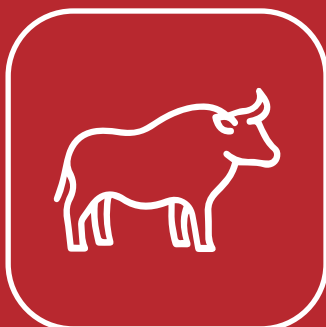
SECTION 6

70

Abattoir Supply Co Product Catalogue 2023

HYGIENE AND CLEANING EQUIPMENT

We manufacture and supply a wide range of hygiene, sanitary equipment and solutions specially designed and developed for the meat related and food processing industry.





Hygiene & Cleaning Aids

APRON CLEANING EQUIPMENT

Apron Wash Cabinet

- ➔ Stainless Steel GR304
- ➔ Single or multiple station for more than one operator
- ➔ Foot mounted with adjustable feet
- ➔ Internal soap dispenser
- ➔ Seamless weld free water outlet
- ➔ Supplied with four hooks for the apron & shower spout



ITEM CODE	DESCRIPTION	SIZE
ASC	Apron Wash Basin	1000 x 1800 x 240 (40kg)

SPARES & ACCESSORIES

ITEM CODE	DESCRIPTION
ASC 67AB	Shower Neck Complete
ASC 68D	Drain Valve
ASC 68E1	Soap Dispenser
ASC 67A	Hand Pump Valve
	Knee Valve
	Handheld Water-fed Brush





Hygiene & Cleaning Aids

APRON AND BOOT CLEANING EQUIPMENT



Apron and Boot Wash Station

- ➔ Stainless Steel GR304
- ➔ Single or multiple station for more than one operator
- ➔ Foot mounted with adjustable feet
- ➔ Internal soap dispenser
- ➔ Seamless weld free water outlet
- ➔ Handheld water fed brush



ITEM CODE	DESCRIPTION	SIZE
ASC	Apron/Boot Wash Station	1000 x 1800 x 240 (40kg)

SPARES & ACCESSORIES

ITEM CODE	DESCRIPTION
ASC 67AB	Shower Neck Complete
ASC 68D	Drain Valve
ASC 68E1	Soap Dispenser Hand Pump Valve
ASC 67A	Knee Valve
ASC 122B2	Handheld Water-Fed Brush
HOSE 1A	Hose





Hygiene & Cleaning Aids

BOOT CLEANING EQUIPMENT

Boot Washing Station

- ➔ Stainless Steel GR304
- ➔ Single or multiple station for more than one operator
- ➔ Foot mounted with adjustable feet
- ➔ Internal soap dispenser
- ➔ Seamless weld free water outlet
- ➔ Supplied with shower sprout & scrubbing brush



ITEM CODE	DESCRIPTION	SIZE
ASC 75A	Boot Wash Station	830 × 600 × 450 (15kg)
ASC 75-I	Boot Wash Station	1225 × 600 × 450 (30kg)
ASC 75-B	Boot Wash Station	1500 × 600 × 450 (45kg)
ASC 75-bi	Boot Wash Station	1850 × 600 × 450 (60kg)
ASC 75-C	Boot Wash Station	2500 × 600 × 450 (75kg)

SPARES & ACCESSORIES

ITEM CODE	DESCRIPTION
ASC 67AB	Shower Neck Complete
ASC 68D	Drain Valve
ASC 68E1	Soap Dispenser Hand Pump Valve



Hygiene & Cleaning Aids

HAND WASH BASINS



Hand Wash Basin Stand

- ➔ Stainless Steel GR304
- ➔ Pedestal
- ➔ Single or multiple station for more than one operator
- ➔ Knee operation
- ➔ Internal soap dispenser
- ➔ Seamless weld free water outlet
- ➔ Supplied with shower sprout & fitted with brackets for steriliser

ITEM CODE	DESCRIPTION	SIZE
ASC 68	2 Station	1260 x 450 x 260 (13kg)
ASC 68-2	2 Station	1260 x 625 x 260 (15kg)
ASC 68-3	3 Station	1260 x 900 x 260 (17kg)
ASC 68-1	4 Station	1260 x1250x260 (24kg)
ASC 68-5	4 Station	1260 x2500x260 (41kg)

SPARES & ACCESSORIES

ITEM CODE	DESCRIPTION
ASC 67AB	Shower Neck Complete
ASC 68D	Drain Valve
ASC 68E1	Soap Dispenser Hand Pump Valve
ASC 67A	Knee Valve (WAL-111DCP)





Hygiene & Cleaning Aids

HAND WASH BASINS

Hand Wash Basin Mounted

- ➔ Stainless Steel GR304
- ➔ Pedestal
- ➔ Single or multiple station for more than one operator
- ➔ Knee operation
- ➔ Internal soap dispenser
- ➔ Seamless weld free water outlet
- ➔ Supplied with shower sprout & fitted with brackets for steriliser

ITEM CODE	DESCRIPTION	SIZE
ASC 68	2 Station	450 x 620 x 350 (8kg)
ASC 68-2	2 Station	900 x 620 x 350 (10kg)
ASC 68-3	3 Station	1335 x 620 x 350 (12kg)
ASC 68-I	4 Station	1800 x 620 x 350 (14kg)

SPARES & ACCESSORIES

ITEM CODE	DESCRIPTION
ASC 67AB	Shower Neck Complete
ASC 68D	Drain Valve
ASC 68E1	Soap Dispenser Hand Pump Valve
ASC 67A	Knee Valve (WAL-111DCP)





Hygiene & Cleaning Aids

HAND WASH BASINS



Hand Wash Basin & Sterilizer

- ➔ Stainless Steel GR304
- ➔ Designed for high risk areas
- ➔ Easy to install
- ➔ Electrically heated and thermostatically controlled
- ➔ Constantly flushing auto overflow
- ➔ 220V 2KW hard water element
- ➔ Knee operation
- ➔ Internal soap dispenser
- ➔ Seamless weld free water outlet
- ➔ Supplied with: Shower spout & fitted with brackets for steriliser

ITEM CODE	DESCRIPTION	SIZE
ASC 67	Sterilizer HWB & Knife 220v	1260 x 700 x 260 (19kg)
ASC 67e	Sterilizer HWB & Knife Steam	1260 x 700 x 260 (19kg)
ASC 67b	Sterilizer HWB & Handsaw	1260 x 880 x 260 (27kg)

SPARES & ACCESSORIES

ITEM CODE	DESCRIPTION
ASC 66I	Element 2Kw Hard water & Pocket 15Cm
ASC P189	Thermostat
ASC 67D	Steriliser Plate Handsaw
ASC 67A-1	Wall Bracket Knife Steriliser



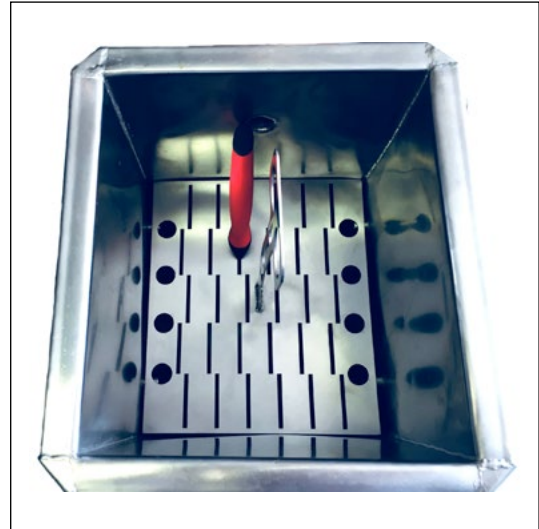


Hygiene & Cleaning Aids

STERILIZATION EQUIPMENT

Knife/Handsaw Sterilizer

- ➔ Stainless Steel GR304
- ➔ Designed for high risk areas, easy to install
- ➔ Electrically heated and thermostatically controlled
- ➔ Constantly flushing auto overflow
- ➔ 220V 2KW hard water element
- ➔ Supplied with wall mounting brackets / Pedestal & Lockable lid



ITEM CODE	DESCRIPTION	SIZE
ASC 68	Sterilizer 12" Knife Mounted	465 x 400 x 154 (10kg)
ASC 68-2	Sterilizer 6" Knife Multiple	485 x 400 x 405
ASC 68-3	Sterilizer 12" Knife Multiple	1335 x 620 x 350



SPARES & ACCESSORIES

See page 74

1. Knife Wall Mounted 12" 6 Knives & 4 Steels
2. Multiple Knife 6" / 12" 30 Knives & 8 Sharpening Steels Optional: Pedestal
3. Multiple Knife 6" / 12" 30 Knives & 8 Sharpening Steels Optional: Wall Mounted
4. Multiple Knife 6" / 12" 30 Knives & 8 Sharpening Steels Optional: Lockable Lid & Pedestal
5. Handsaw Wall Mounted



Hygiene & Cleaning Aids

STERILIZATION EQUIPMENT



Auto-Valve Faucet

- ➔ Auto valve eliminates the need for knee valve or foot valve
- ➔ Easily replaces existing shower heads
- ➔ No electrical wiring required
- ➔ Takes 4 x AA batteries lasting 4 years or 90 000 starts
- ➔ Can be fitted to boot wash and hand wash units
- ➔ Auto activates when movement detected close to outlet
- ➔ Stainless Steel



ITEM CODE	DESCRIPTION
CAT 67AA	Valve Faucet Auto Water Spout 6v DC

Hose Pedestal

- ➔ Pedestal or wall mounted
- ➔ Stainless Steel or Mild Steel Galvanised



ITEM CODE	DESCRIPTION
ASC 79	Hose Wall Holder
ASC 79-1	Hose Reel Wall Mounted Stainless Steel 3CR12
ASC 79-2	Hose Reel Air Wall Mounted Stainless Steel 3CR12
ASC 79A	Hose Pedestal Holder Stainless Steel GR304
ASC 79A-1	Hose Pedestal Holder Mild Steel Galvanised
ASC 79B	Hose Reel Mild Steel Galvanised





Hygiene & Cleaning Aids

STERILIZATION EQUIPMENT

Boot Wash Sterilisation Bay

- ➔ Stainless Steel GR304
- ➔ Foot mounted with adjustable feet
- ➔ Internal soap dispenser
- ➔ Seamless weld free water outlet
- ➔ Supplied with shower sprout and scrubbing brush

ITEM CODE	DESCRIPTION	SIZE
ASC 72	Boot Wash Sterilisation Bay	

SPARES & ACCESSORIES

ITEM CODE	DESCRIPTION
ASC 67AB	Shower Neck Complete
ASC 68D	Drain Valve
ASC 67D	Soap Dispenser Hand Pump Valve
ASC 68 EI	Wall Bracket Knife Steriliser



Knife Steriliser



Hygiene & Cleaning Aids

PERSONAL HYGIENE



Stainless Steel Soap Dispensers

- ➔ Made from high quality stainless steel
- ➔ Designed for high risk hygiene areas
- ➔ Lockable for hygiene purposes
- ➔ Easy to install
- ➔ Supplied with bracket for wall mounting & Eye glass for content control

ITEM CODE	DESCRIPTION	SIZE
ASC 68CC	Soap Dispenser	500 ml
ASC 68C	Soap Dispenser	1000 ml



Stainless Steel Hand Dryers

- ➔ Stainless Steel GR304
- ➔ Auto or push button

ITEM CODE	DESCRIPTION	TYPE
ASC 73B3	220v Hand Dryer	Push Button
ASC 73B4	220v Hand Dryer	Auto-Sensor





Hygiene & Cleaning Aids

WATER SOLUTIONS

Vikan Heavy Duty Water Gun

The Heavy Duty Water Gun is suitable for cleaning floors and machinery, and for rinsing off work surfaces and walls after chemical foaming. Determine the jet pattern by squeezing the rubber insulated trigger. Adjust the water jet with a screw at the end of the gun. An arrow on the gun shows the water spray direction. Use 0712 1/2" or 0715 3/4" hose nipples, which can be screwed into the bottom of the gun. You need one of these nipples to connect a hose to the gun.

- Continuous operation is facilitated by the lock catch.
- This valve designed for industrial use, is extremely robust and has a long service life due to its high quality brass/ Stainless Steel construction.
- It's protected against shock, heat, and cold, by caustic- and acid-resistant rubber cladding.
- The hose is easily fitted to the connector/hose tail which is supplied to size required.
- The water-saving gun is suitable for hot water up to 95°C and for pressure up to 24 bar higher values are possible upon consultation.
- The brass casing which is protected by strong grease-and caustic-resistant cladding is completely impervious to shock on being dropped.
- Does not cause damage to tanks or tiled floors.
- The valve is opened and closes by operating the lever which regulates the flow from a mist to a concentrated jet.
- Rugged heavy duty brass body All 'O'-Rings and covers in EPDM Insulated moulded grip for spraying hot or cold water.
- Trigger and operating mechanism in S/S 1/2" BSPP female inlet.
- Hold-open clip for continuous spraying.

ITEM CODE	DESCRIPTION
CAT 80A	Water Gun - Gunjet
CAT 80A-1	Water Coupling 3/4"
CAT 80A-2	Water Coupling 1/2"
CAT 80A-3	Coupling Swivel 3/4
CAT 80A-4	Coupling Swivel 1/2"
CAT 80B	Gunjet Spray Gun (MI 30)
CAT 80c	Foaming Unit



Technical Specifications

Operating Pressure 2 - 24 Bar Max
Water Temperature 80°C Max
Approximate Output 25L/Min At 5 Bar Pressure
Maximum Working Pressure 24 Bar (350 Psi)
Maximum Working Temperature 95°C
Approx Weight 850 Grams



Hygiene & Cleaning Aids

WATER SOLUTIONS



Lonni Water Saver and Parts

The world's most durable, easy to use nozzle. Machined brass head and moulded nitrile rubber allows the water saver to be stepped on or driven over and it will still work.

Simply flex the rubber hose extension and instant flow control from a drizzle to full flow.

The water saver will far outlast any other water nozzle.

There is no need to turn the water supply off because the water saver will not leak, saving you money and time.

SPARES & ACCESSORIES

ITEM CODE	DESCRIPTION
CAT 80A1	Hose Tail 3/4"
CAT 80A2	Hose Tail 1/2"
CAT 80A3	Swivel Hose Tail 3/4"
CAT 80A4	Swivel Hose Tail 1/2"
CAT 78A	Front Nozzle Rubber
CAT 78B	Back Valve





Hygiene & Cleaning Aids

WATER SOLUTIONS

Acquablu Hose for Potable Water

Standards

Reg. CE 1935/04 and CE 2023/06. EU regulation 10/2011 aqueous, fatty and alcoholic foods up to 96%. Without PH thalates. FDA tit.21 art.177.1520 foods. BfR III.

Conforms to UBA and DVGW Standard W270. D. M. n ° 174 of 06/04/04.

WRAS approved according to BS 6920.

Application

Soft-wall hose for conveying of drinking water. The construction of the hose is made of food grade substrate that does not transmit odors or flavors, allows the organoleptic characteristics of the water to remain unchanged. Designed to work in the food industry or when it is necessary to convey drinking water (domestic use, camping).

Temperature From -30 ° C to + 60 ° C.

Construction

- ➔ Inner tube: smooth white plastomer of food quality, which does not release odors or flavors.
- ➔ Reinforcement: high resistance synthetic fabrics.
- ➔ Cover: blue, smooth (cloth embossed), weather resistant synthetic rubber.

Available on request

1.Different diameters 2.Acquablu® LL, smooth spiral version for supply and suction.



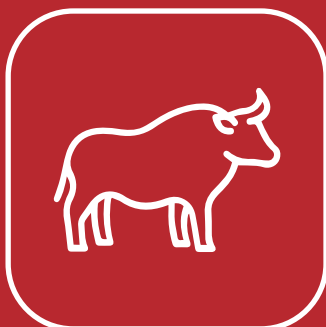
ITEM CODE	INSIDE DIAMETER		OUTSIDE DIAMETER		WORKING PRESSURE		BURST PRESSURE		WEIGHT NOMINAL		LENGTH MAX	
	mm	inch	mm	inch	bar	psi	bar	psi	kg/m	lbs/ft	m	ft
1430211	13	1/2	21	0,83	20	300	60	900	0,26	0,17	60	200
1430343	19	3/4	28	1,10	20	300	60	900	0,42	0,28	60	200
1425013	25	1	34	1,34	20	300	60	900	0,52	0,35	60	200



SECTION 7

KNIVES AND CUTTING UTENSILS

We manufacture and supply a wide range of hygiene, sanitary equipment and solutions specially designed and developed for the meat related and food processing industry.





Knives and Cutting Utensils

JERO KNIVES

Jero Butcher Knife 15cm

The blade is made of high quality Molybdenum/Vanadium stainless steel, with exceptional cutting power, a long-lasting edge and excellent corrosion resistance.

A soft rubber material on the surface allows a very good grip in every condition.

Structurally strong to endure intensive use, due to the harder inner plastic component injected directly over the blade.

The differentiated coloured handle system distinguishes each knife to its designated purpose, avoiding contamination between different substances.



ITEM CODE	DESCRIPTION	BLADE LENGTH
1260TR 4530	Yellow Elastomer Handle	15cm
1260TR 4540	Blue Elastomer Handle	15cm
1260TR 4550	Red Elastomer Handle	15cm

Jero Butcher Knife 36cm

Blades are made of high carbon stainless steel.

The Polypropylene handles (PP) are hygienic and dishwasher safe.

The ergonomic shape and sturdy grip provide easy handling and prevent slippage.



ITEM CODE	DESCRIPTION	BLADE LENGTH
3160 P36 4010	Black Polypropylene Handle	36cm
3160 P36 4040	Blue Polypropylene Handle	36cm



Knives and Cutting Utensils

KNIVES



Jero Skinning Knife 16cm

The blade is made of high quality Molybdenum/Vanadium stainless steel, with exceptional cutting power, a long-lasting edge and excellent corrosion resistance.

A soft rubber material on the surface allows a very good grip in every condition.

Structurally strong to endure intensive use, due to the harder inner plastic component injected directly over the blade.

The differentiated coloured handle system distinguishes each knife to its designated purpose, avoiding contamination between different substances.



ITEM CODE	DESCRIPTION	BLADE LENGTH
1415TR 4510	Black Elastomer Handle	16cm
1415TR 4540	Blue Elastomer Handle	16cm
1415TR 4550	Red Elastomer Handle	16cm

Jero Skinning Knife 16cm

The knife blades are made from special high carbon stainless steel and are perfectly heat treated to give them a hardness of 56-57 HRC (Rockwell C).

The Polypropylene handles (PP) are hygienic and dishwasher safe.

The ergonomic shape and sturdy grip provide easy handling and prevent slippage.



ITEM CODE	DESCRIPTION	BLADE LENGTH
1370P3 4040	Yellow Elastomer Handle	18cm



Knives and Cutting Utensils

KNIVES

Jero Skinning Knife 18cm

The blade is made of high quality Molybdenum/Vanadium stainless steel, with exceptional cutting power, a long-lasting edge and excellent corrosion resistance.

A soft rubber material on the surface allows a very good grip in every condition.

Structurally strong to endure intensive use, due to the harder inner plastic component injected directly over the blade.

The differentiated coloured handle system distinguishes each knife to its designated purpose, avoiding contamination between different substances.



ITEM CODE	DESCRIPTION	BLADE LENGTH
1370TR 4540	Blue Elastomer Handle	18cm
1370TR 4550	Red Elastomer Handle	18cm
1370TR 4560	Green Elastomer Handle	18cm

Jero Skinning Knife 21cm

Blades are made of high carbon stainless steel.

The Polypropylene handles (PP) are hygienic and dishwasher safe.

The ergonomic shape and sturdy grip provide easy handling and prevent slippage.



ITEM CODE	DESCRIPTION	BLADE LENGTH
1421P 4530	Yellow Polypropylene Handle	21cm



Knives and Cutting Utensils

KNIVES



Jero Sticking Knife 18cm

The blade is made of high quality Molybdenum/Vanadium stainless steel, with exceptional cutting power, a long-lasting edge and excellent corrosion resistance.

A soft rubber material on the surface allows a very good grip in every condition.

Structurally strong to endure intensive use, due to the harder inner plastic component injected directly over the blade.

The differentiated coloured handle system distinguishes each knife to its designated purpose, avoiding contamination between different substances.



ITEM CODE	DESCRIPTION	BLADE LENGTH
5118TR 4540	Blue Polypropylene Handle	18cm
5118TR 4550	Red Polypropylene Handle	18cm

Jero Sharpening Steel

Made of special carbon steel, and the rod surface is protected with hard chrome plating which allows to obtain excellent hardness.

The Polypropylene handles (PP) are hygienic and dishwasher safe.



ITEM CODE	DESCRIPTION	BLADE LENGTH
212P 0413 4010	Black Polypropylene Handle	30cm



Knives and Cutting Utensils

CLEAVERS

Butcher Cleaver 15cm

The Butcher Cleaver is a true butcher's cleaver designed and constructed to perform the tough jobs.

The thick blade adds weight and power, as well as absorbs shock.

Handle is manufactured from high-impact polymer that is easy to clean and maintain, and is secured to the tang using tough stainless steel rivets.



ITEM CODE	DESCRIPTION	BLADE LENGTH
8600 PE	White Polypropylene Handle	15cm

Butcher Cleaver 16cm

The Butcher Cleaver is a true butcher's cleaver designed and constructed to perform the tough jobs.

The thick blade adds weight and power, as well as absorbs shock.

Handle is manufactured from high-impact polymer that is easy to clean and maintain, and is secured to the tang using tough stainless steel rivets.



ITEM CODE	DESCRIPTION	BLADE LENGTH
8616 PE	White Polypropylene Handle	16cm

Butcher Cleaver 27cm

The Butcher Cleaver is a true butcher's cleaver designed and constructed to perform the tough jobs.

The thick blade adds weight and power, as well as absorbs shock.

Handle is manufactured from high-impact polymer that is easy to clean and maintain, and is secured to the tang using tough stainless steel rivets.



ITEM CODE	DESCRIPTION	BLADE LENGTH
8011PE	White Polypropylene Handle	27cm



Knives and Cutting Utensils



CLEAVERS

Cleaver 18cm

Blades are made of high carbon stainless steel and the Polypropylene handles (PP) are hygienic and dishwasher safe.



ITEM CODE	DESCRIPTION	BLADE LENGTH
8618 P	White Polypropylene Handle	18cm

Butcher Cleaver 16cm

Blades are made of high carbon stainless steel and the Polypropylene handles (PP) are hygienic and dishwasher safe.



ITEM CODE	DESCRIPTION	BLADE LENGTH
8620 P	White Polypropylene Handle	20cm



Knives and Cutting Utensils

HANSAWS

Pistol Grip Handsaw Frame

Our highest quality handsaw frames are manufactured in the finest stainless steel. Continuous innovation, based on our customer feedback, has resulted in our pistol-grip handle being the most comfortable grip ever, giving you control, a natural, effortless effect and ensuring the correct tension is maintained throughout use.

Handles are supplied in a variety of colours: white, red, green, blue and yellow, allowing you to keep different handsaws for each type of meat.



ITEM CODE	DESCRIPTION	BLADE LENGTH
ASC 444W HS	White Polypropylene Handle	444mm
ASC 508W HS	White Polypropylene Handle	508mm
ASC 559W HS	White Polypropylene Handle	559mm
ASC 635W HS	White Polypropylene Handle	635mm

HANSAW BLADES

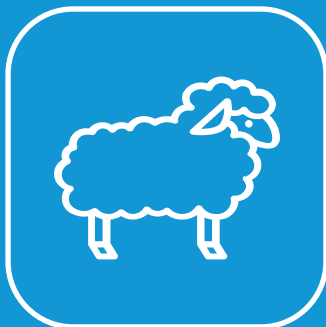
ITEM CODE	DESCRIPTION	BLADE TYPE
ASC 444W HS	0.56mm x 11mm	10 TPI Regular
ASC 508W HS	0.56mm x 13 mm	10 TPI Regular
ASC 559W HS	0.56mm x 16mm	10 TPI Regular
ASC 635W HS	0.56mm x 13mm	10 TPI TH
ASC 635W HS	0 56mm x 16mm	10 TPI TH
ASC 635W HS	0.56mm x 16mm	10 TPI S/S



SECTION 8

FREUND EQUIPMENT AND TOOLS

We are proudly partnered with Freund Germany, to supply the local and regional markets with their range of high-end slaughtering tools and equipment. Browse our catalogue or contact us for more details.





Freund Equipment

GERMAN QUALITY SLAUGHTERING TOOLS

For far more than 100 years FREUND has been developing and producing machines and equipment for humane and economic meat production and cutting. Numerous patents and industrial property rights prove the technological leadership of the manufacturer of "German Quality Slaughter Tools".

FREUND attaches particular importance to sustainable profitability supported by a strong worldwide on-site service for the most comprehensive product range from stunning to fine cutting.

FREUND

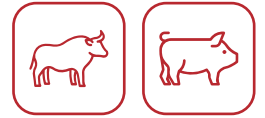
GERMAN QUALITY SLAUGHTER TOOLS





Freund Equipment

ADAPTIVE TRIMMER FOR SPINAL CORD REMOVAL



Product Code ASC-SCR01

The most efficient way to remove the spinal cord from beef sides in order that the SPECIFIC RISK MATERIAL (SRM) is completely isolated. The spinal cord is pulled out by vacuum and the inboard knife edge then cuts the spinal ganglia without damaging the dura mater.

Available in 2 blade sizes:

SCR16 for pork, SCR19 for beef

- ➔ New On / Off safety system with a stop lever on the handpiece



DETAIL	SPECIFICATION
Animal Types	Cattle, Pigs
Diameter	
Pneumatic Consumption	
Pneumatic Input Pressure	
Pneumatic Output Power	



Freund Equipment

CIRCULAR BREAKING SAW

Product Code ASC-SCR02

Circular-Breaking-Saw for general cutting purposes in medium sized plants.

- ➔ Integrated electronic-motor-brake (standstill in less than 3 seconds)
- ➔ Single hand adjustable cutting-depth control
- ➔ Round handle R (D-type)
- ➔ Spiral cable SK



DETAIL	SPECIFICATION
Weight	6,3 kg
Dimensions	520 x 96 x 194 mm
Animal Types	Cattle, Pigs, Sheep
Diameter	180 mm
Cutting Depth/Area	15-65 mm
Bore	52 mm
Speed	810 m/min / 1432 rpm
Electrical Phase	1
Input Voltage	230 V
Power Output	1050 Watt (50-60Hz)/VA / 1,4 hp (50Hz)/VA
IP Rating	24



Freund Equipment

CIRCULAR BREAKING SAW



Product Code ASC-K28-06L

Circular Breaking Saw for general cutting purposes in high throughput plants.

- ➔ Long gear neck as 2nd handle
- ➔ Mechanical motorbrake MMB
- ➔ Circular saw blade gross toothed KGZ
- ➔ Spiral cable SK
- ➔ **Optional** With 2-Hand-Safety-Switch (Anti-Tie Down)



DETAIL	SPECIFICATION
Weight	19,0 kg
Animal Types	Cattle
Diameter	280 mm
Cutting Depth	100 mm
Bore	52 mm
Speed	1160 m/min / 1320 rpm
Electrical Phase	3
Input Voltage	400 V
Power Output	1700 Watt (50Hz)/VA / 2,4 hp (50Hz)/VA
IP Rating	65



Freund Equipment

RECIPROCATING BREAKING SAW

Product Code ASC-ST40-13

Reciprocating Breaking & Quartering Saw for general cutting purposes at medium throughputs.

- ➔ Smallest saw of its kind with totally enclosed 3-phase motor
- ➔ Straight saw blade fine tooth STFZ
- ➔ Spiral cable SK
- ➔ Round handle R (D-type)
- ➔ Almost free of vibration due to inbuilt counterweights

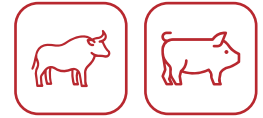


DETAIL	SPECIFICATION
Weight	12,7 kg
Animal Types	Cattle, Pigs, Sheep
Saw Blade Length	400 mm
Cutting Area	32 mm
Speed	240 m/min
Electrical Phase	3
Input Voltage	400 V
IP Rating	65
Power Output	950 Watt (50-60Hz)/VA / 1,3 hp (50Hz)/VA
Hydraulic Output	7650 psi



Freund Equipment

SPLITTER BANDSAW



Product Code ASC SB49-08

Ideally suited for gambrels (due to lowest front end <300mm), hence splitting of cattle-carcasses is possible, but restricted.

The basic-model has the following standard-features:

- ➔ Manual blade-tensioning-system MAN
- ➔ Lever-guides HF
- ➔ Machine-Safety-Switch on housing cover MSS
- ➔ Water-hose kit
- ➔ Includes 5 band-saw-blades
- ➔ Inbuilt disinfection kit DES-E

Optional

- ➔ Automatic (hydraulic) tensioning-system for fastest blade change and accurate blade-tension at any time AUT
- ➔ Automatic blade twisting for fastest blade change with adjustable blade-guides JF
- ➔ Electro-water-valve EWW
- ➔ 2-Hand-Safety-Anti-Tie-Down 2HATD



DETAIL	SPECIFICATION
Weight	64,0 kg
Animal Types	Cattle, Pigs
Blade Length	2.913 mm
Cutting Depth	490 mm
Cutting Area	490 mm
Speed	12,1 m/min
Power Phase	3
Input Voltage	42 V
IP Rating	65
Water Connection	20°C 3/8 inch
Power Output	2300 Watt (50Hz)/VA
Energy Output	3,1 hp (50Hz)/VA



Freund Equipment

QUARTERING SHEAR

Product Code ASC-AS28

Hydraulic Shear for Quartering of Cattle.

- ➔ Clean and smooth cut through the backbone and loin.
- ➔ With 2-Hand-Safety-Switch (Anti-Tie Down).
- ➔ Adjustable handle for improved ergonomics.

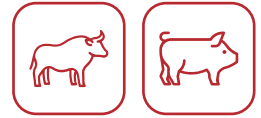


DETAIL	SPECIFICATION
Weight	32,0 kg
Animal Types	Cattle
Front Scissor Opening	280 mm
Speed	0,7 m/mi
Pneumatic Input Pressure	6 bar
Input Air Pressure	45-120 psi
Hydraulic Input Pressure	150 bar / 2175 psi



Freund Equipment

RECTUM CUTTER



Product Code ASC-EDF

For optimised loosening the rectum of pigs and sows.

The basic-model has the following standard-features:

- ➔ Increases yield by leaving more meat on the carcass and less on the intestines
- ➔ Vacuum-suction of fecal material reduces risk of internal contamination when rectum drops into abdominal cavity
- ➔ Blade is constantly cleaned on the inside for reduced cross contamination
- ➔ Clean and accurate cut of ham



DETAIL	SPECIFICATION
Weight	3,5 kg
Animal Types	Pigs
Diameter	64 mm
Cutting Area	64 mm
Pneumatic Consumption	1000 l/min
Pneumatic Pressure	6 bar
Pneumatic Output	750 Watt 1 hp
Input Air Pressure	90 psi
Water Input	40°C 3/8 inch



Freund Equipment

TRIMMER WITH CUTTING DEPTH CONTROL

Product Code ASC-TR01

Series 2 with improved tothing and increased blade service life.

- ➔ Different blade diameters available
- ➔ Ring blade with a diameter of 35 – 128 mm

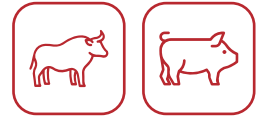


DETAIL	SPECIFICATION
Animal Types	Cattle, Pigs, Sheep
Diameter	35 – 128 mm



Freund Equipment

TRIMMER KNIFE SHARPENING MACHINE



Product Code ASC-TSM-E1

Trimmer sharpening machine for the best sharpening results.

- ➔ Precise sharpening of trimmer blades with a diameter of 35, 52, 69, 90 and 128 mm
- ➔ The quick clamp device in two different sizes allows you to insert the trimmer blades quickly with minimal assembly effort
- ➔ The spring-loaded de-burr lever prevents too much pressure on the blade
- ➔ The pre-coated precision grinding wheel gives you the best sharpening results and at the same time, the maximum lifespan of the grinding unit
- ➔ Integrated overload display signals a possible overload
- ➔ Compact and robust aluminium housing
- ➔ Drive with up to 8000 rpm



DETAIL	SPECIFICATION
Weight	13,8 kg
Electrical Phase	1
Input Power	150 Watt (60 Hz)
IP Rating	32



Freund Equipment

VACUUM SUCTION SYSTEM

Product Code ASC-VSS-SCR

For the removal of spinal cord, brain, remains of fat and leaf lard, lungs of poultry etc. by vacuum System can be made up from individual components: vacuum tank (stainless steel – available in various sizes).

For vacuum and steam cleaning of all animal types.

- ➔ Vacuum Pump
- ➔ Different Hoses
- ➔ Hand pieces for Various Applications
- ➔ Easy emptying & washdown due to large opening & discharge shutters.
- ➔ Steam generator
- ➔ Wall mounted, or trolley mounted

Required Accessories

- ➔ Handpiece for Vacuum Suction System



DETAIL	SPECIFICATION
Weight	267-335 kg
Dimensions	1500 x 1200 x 2070 mm
Animal Types	Cattle, Sheep, Pigs
Pumping Speed	100 – 240 m ³ /h 50Hz
Content/Quantity/ Volume	110 / 230 / 330 L
Air Volume	192 m ³ /h 60Hz
Electrical Phase	3
Input Voltage	230/400 V
Output Power (50Hz)	4000 Watt / 5,5 hp
Output Power (60Hz)	4800 Watt / 6,5 hp
IP Rating	55



Freund Equipment

VACUUM SUCTION SYSTEM HANDPIECE FOR SPINAL CORD REMOVAL



Product Code ASC-VSS-VH38H

Vacuum Suction System Handpiece with flat nozzle for the removal of spinal cord (from the halved animal carcass) of cattle, pig and sheep.



DETAIL	SPECIFICATION
Weight	0,3 kg
Diameter	38 mm
Animal Types	Cattle, Pigs, Sheep



Freund Equipment

VACUUM SUCTION SYSTEM HANDPIECE

Product Code ASC-VSS-SCR

Vacuum Suction System Handpiece for versatile applications with straight scraper for spinal cord, remains of fat and leaf lard, brain (pig).



DETAIL	SPECIFICATION
Weight	0,3 kg
Diameter	38 mm
Animal Types	Pigs



Freund Equipment

VACUUM TRIMMER



Product Code ASC-VT52

Application - Optimised design with easy handling due to suction ball head. For the removal of tonsils in pigs and trimming of loose, bloody tissue and fat.

- ➔ Different blade types (ring blade straight, ring blade hooked)
- ➔ Shorter downtime and lower maintenance costs thanks to low-wear quality components
- ➔ Ergonomic handles in a robust, abrasion-free plastic design
- ➔ Quiet running minimises vibrations in the handpiece
- ➔ Choice of electrical or pneumatic power



DETAIL	SPECIFICATION
Animal Types	Cattle, Pigs, Sheep
Diameter	52 mm



Freund Equipment

ADAPTIVE TRIMMER

Product Code ASC-SCR02

The new Series 2 with improved gearing, tool-less blade-changing-system and enhanced blade life.

- ➔ New optional On / Off safety system with a stop lever on the handpiece
- ➔ Available in pneumatic or electric versions
- ➔ Ring blade with a diameter of 35 – 128 mm



DETAIL	SPECIFICATION
Animal Types	Sheep, Cattle, Pigs, Poultry, Fish
Diameter	35 – 128 mm
Pneumatic Consumption	400 l/min
Pneumatic Input Pressure	6 bar / 87 psi
Pneumatic Output Power	0,39 hp





Freund Equipment

SPRING BALANCERS



Product Code ASC-SB0102

Balancer specially designed for processing of food-products in the Food Industry. Available in different weight ranges, to accommodate different equipment weights. Cable length can be specified on order..

- ➔ Balancer-casing + drum made from corrosion resistant aluminium, high pressure die casting
- ➔ Rugged aluminium casing polished – no varnish to avoid contamination from flaking paint or coating
- ➔ All stainless steel balancer-cable and carabiner hook
- ➔ Sealed bearings
- ➔ Lubricated with food quality grease according to FDA
- ➔ Safety device against load dropping due to a spring breakage (>3kg)





“

**WE ARE DEDICATED TO PROVIDING
QUALITY AND AFFORDABLE
PRODUCTS THAT ARE BEST SUITED
TO OUR CLIENTS.**



GET IN TOUCH

+27 83 521 4213

Mercy Manor Farms, Scheepersnek, Vryheid, 3100

WhatsApp +27835214213 | **Email** info@abattoirsupply.co.za

Company Registration Number 202268045007

www.abattoirsupply.co.za